

ROECO

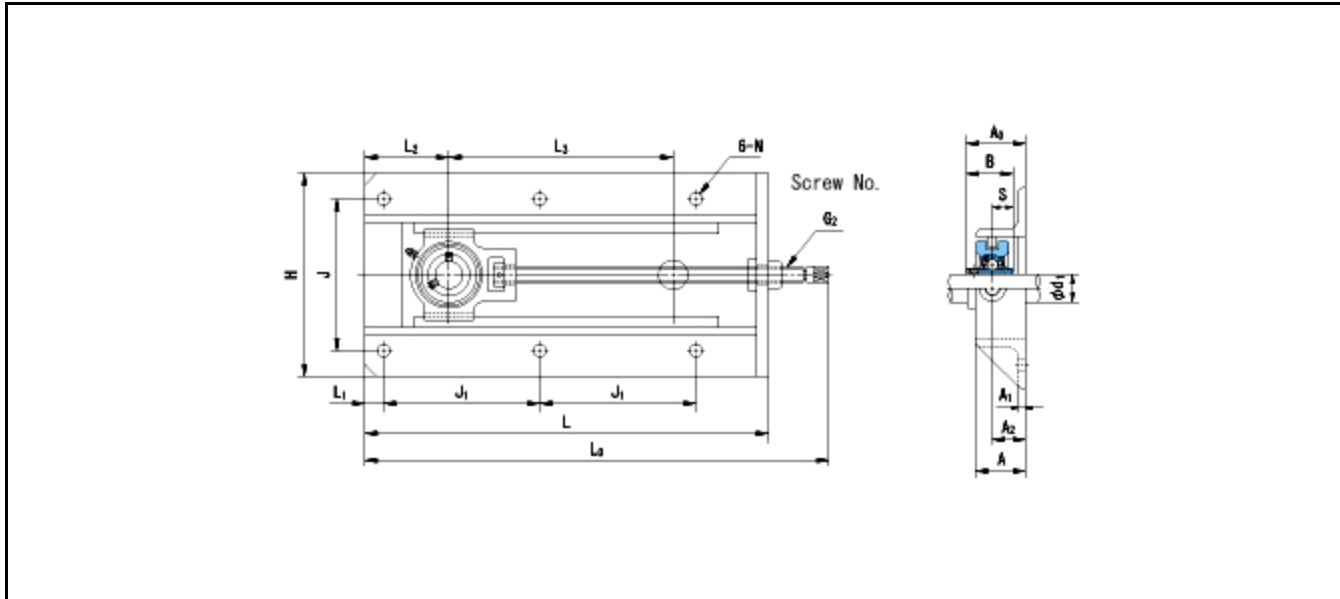
# Bearing Data

## Ball Bearing Units

Bearing No. : **UCT210+WB**

### Dimensions

- H = 233
- L = 520
- J = 192
- J1 = 219
- N = 15
- L1 = 22
- L2 = 108
- L3 = 300
- G2 = Tr26
- L0 = 593



### Dimensions

- d1 = 50
- A1 = 30
- A2 = 6
- A = 50
- A0 = 62.6
- S = 19
- Mass = 11.2 kg

<b>Basic Dynamic Load Rating Cr :</b>	<b>35500 N</b>	<b>INNER RING</b>	<b>OUTER RING</b>
<b>Basic Static Load Rating Cor :</b>	<b>23200 N</b>	<b>O.D.Surface Runout with Side :</b>	-
<b>Limiting Speed ;</b>		<b>Axial Runout with Bore :</b>	-
<b>Grease Lubrication :</b>	- rpm	<b>Axial Runout with Raceway :</b>	-
<b>Oil Lubrication :</b>	- rpm	<b>Width Variation :</b>	-
		<b>Radial Runout :</b>	-