

ROECO

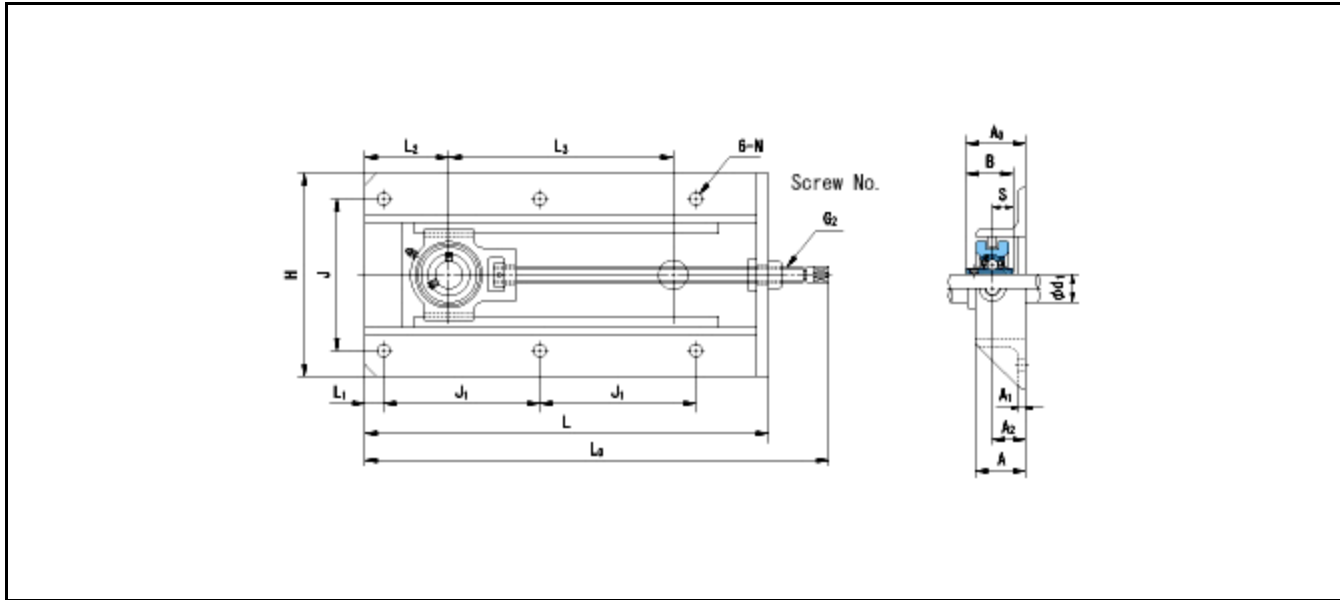
Bearing Data

Ball Bearing Units

Bearing No. : **UCT209+WB**

Dimensions

- H = 233
- L = 520
- J = 192
- J1 = 219
- N = 15
- L1 = 22
- L2 = 108
- L3 = 300
- G2 = Tr26
- L0 = 590



Dimensions

- d1 = 45
- A1 = 30
- A2 = 6
- A = 50
- A0 = 60.2
- S = 19
- Mass = 11.1 kg

Basic Dynamic Load Rating Cr :	33000 N	INNER RING	OUTER RING
Basic Static Load Rating Cor :	20500 N	O.D.Surface Runout with Side :	-
Limiting Speed ;		Axial Runout with Bore :	-
Grease Lubrication :	- rpm	Axial Runout with Raceway :	-
Oil Lubrication :	- rpm	Width Variation :	-
		Radial Runout :	-