

ROECO

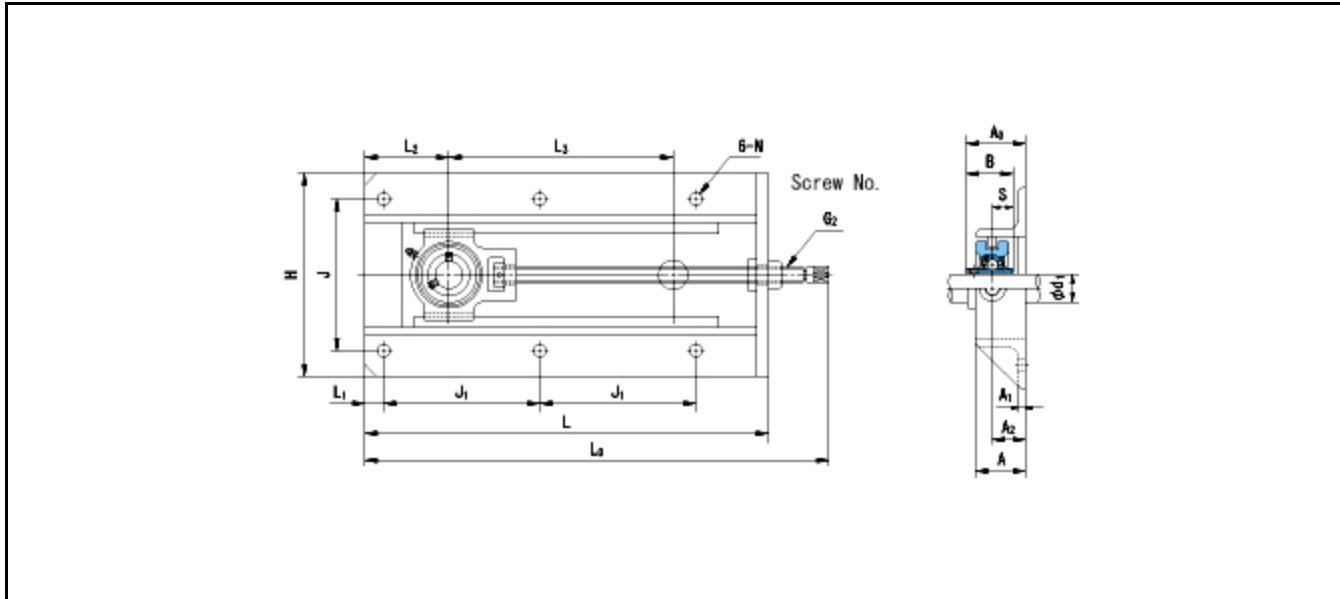
# Bearing Data

## Ball Bearing Units

Bearing No. : **UCT206+WB**

Dimensions

- H = 212
- L = 337
- J = 166
- J1 = 127
- N = 12
- L1 = 19
- L2 = 95
- L3 = 150
- G2 = Tr18
- L0 = 396



Dimensions

- d1 = 30
- A1 = 30
- A2 = 6
- A = 50
- A0 = 52.2
- S = 15.9
- Mass = 5.9 kg

<b>Basic Dynamic Load Rating Cr :</b>	<b>19600 N</b>	<b>INNER RING</b>	<b>OUTER RING</b>
<b>Basic Static Load Rating Cor :</b>	<b>11300 N</b>	<b>O.D.Surface Runout with Side :</b>	-
<b>Limiting Speed ;</b>		<b>Axial Runout with Bore :</b>	-
<b>Grease Lubrication :</b>	- rpm	<b>Axial Runout with Raceway :</b>	-
<b>Oil Lubrication :</b>	- rpm	<b>Width Variation :</b>	-
		<b>Radial Runout :</b>	-