

ROECO

Bearing Data

Ball Bearing Units

Bearing No. : **UCT205+WB**

Dimensions

H = 199

L = 317

J = 154

J1 = 117

N = 12

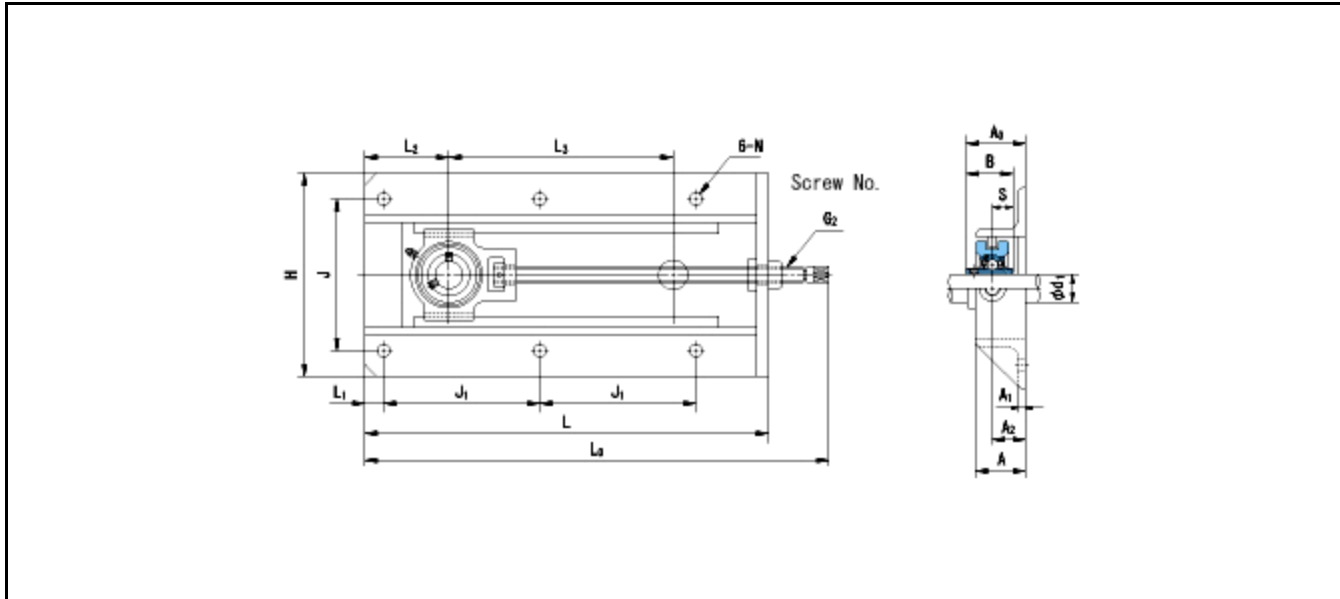
L1 = 19

L2 = 83

L3 = 150

G2 = Tr16

L0 = 368



Dimensions

d1 = 25

A1 = 29

A2 = 6

A = 50

A0 = 48.7

S = 14.3

Mass = 5 kg

Basic Dynamic Load Rating Cr :	14000 N	INNER RING	OUTER RING
Basic Static Load Rating Cor :	7900 N	O.D.Surface Runout with Side :	-
Limiting Speed ;		Axial Runout with Bore :	-
Grease Lubrication :	- rpm	Axial Runout with Raceway :	-
Oil Lubrication :	- rpm	Width Variation :	-
		Radial Runout :	-