

ROECO

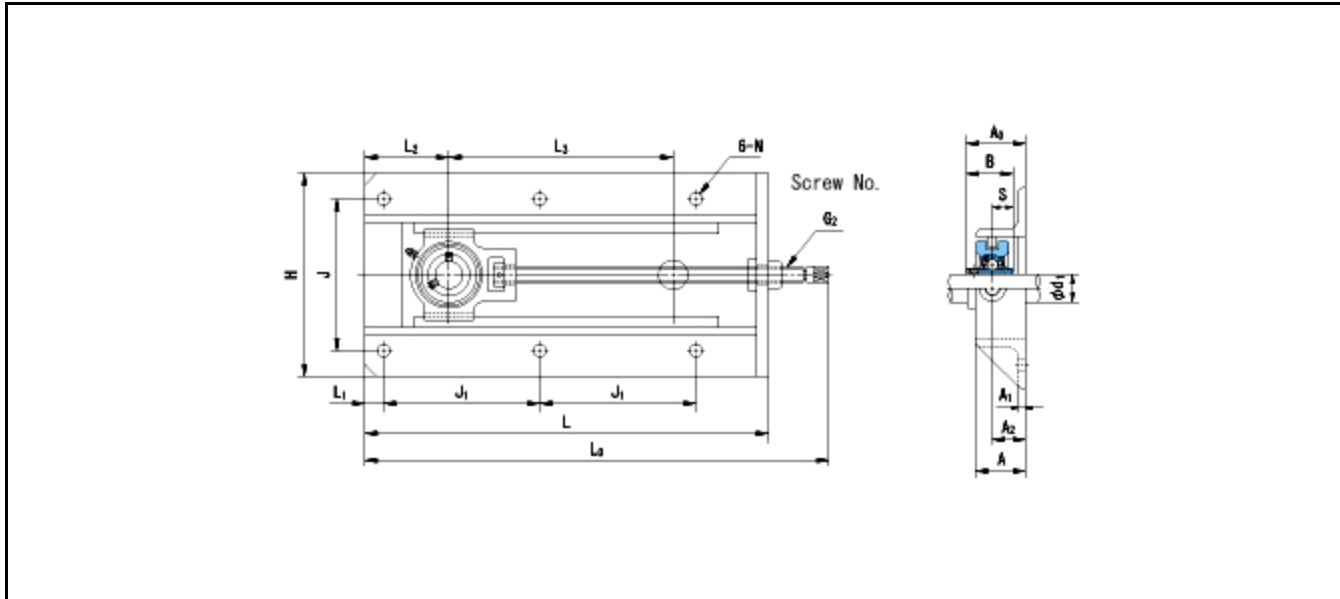
Bearing Data

Ball Bearing Units

Bearing No. : **UCT204+WB**

Dimensions

- H = 199
- L = 317
- J = 154
- J1 = 117
- N = 12
- L1 = 19
- L2 = 83
- L3 = 150
- G2 = Tr16
- L0 = 367



Dimensions

- d1 = 20
- A1 = 29
- A2 = 6
- A = 50
- A0 = 47.3
- S = 12.7
- Mass = 5 kg

Basic Dynamic Load Rating Cr :	12800 N	INNER RING	OUTER RING
Basic Static Load Rating Cor :	6600 N	O.D.Surface Runout with Side :	-
Limiting Speed ;		Axial Runout with Bore :	-
Grease Lubrication :	- rpm	Axial Runout with Raceway :	-
Oil Lubrication :	- rpm	Width Variation :	-
		Radial Runout :	-