

ROECO

# Bearing Data

## Ball Bearing Units

Bearing No. : **UCT203+WB**

### Dimensions

H = 199

L = 317

J = 154

J1 = 117

N = 12

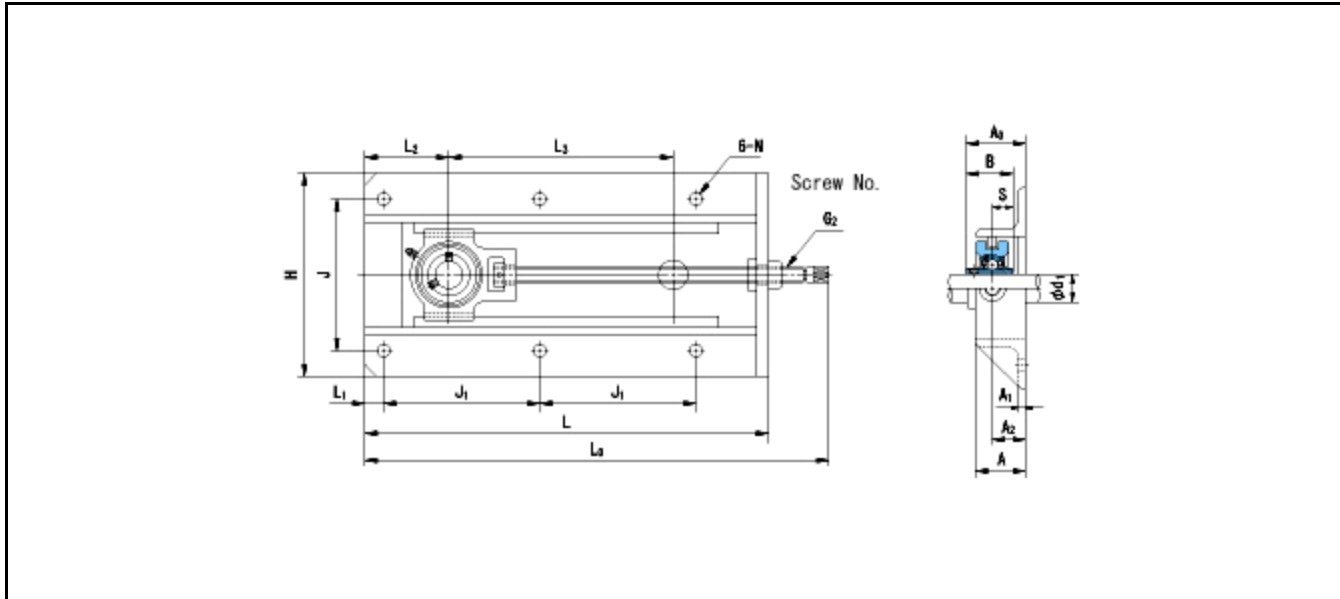
L1 = 19

L2 = 83

L3 = 150

G2 = Tr16

L0 = 367



### Dimensions

d1 = 17

A1 = 29

A2 = 6

A = 50

A0 = 47.3

S = 12.7

Mass = 5 kg

Basic Dynamic Load Rating Cr :	<b>12800 N</b>		<b>INNER RING</b>	<b>OUTER RING</b>
Basic Static Load Rating Cor :	<b>6600 N</b>	O.D.Surface Runout with Side :		-
Limiting Speed ;		Axial Runout with Bore :	-	-
Grease Lubrication :	- rpm	Axial Runout with Raceway :	-	-
Oil Lubrication :	- rpm	Width Variation :	-	-
		Radial Runout :	-	-