

ROECO

Bearing Data

Ball Bearing Units

Bearing No. : **UCT202+WB**

Dimensions

H = 199

L = 317

J = 154

J1 = 117

N = 12

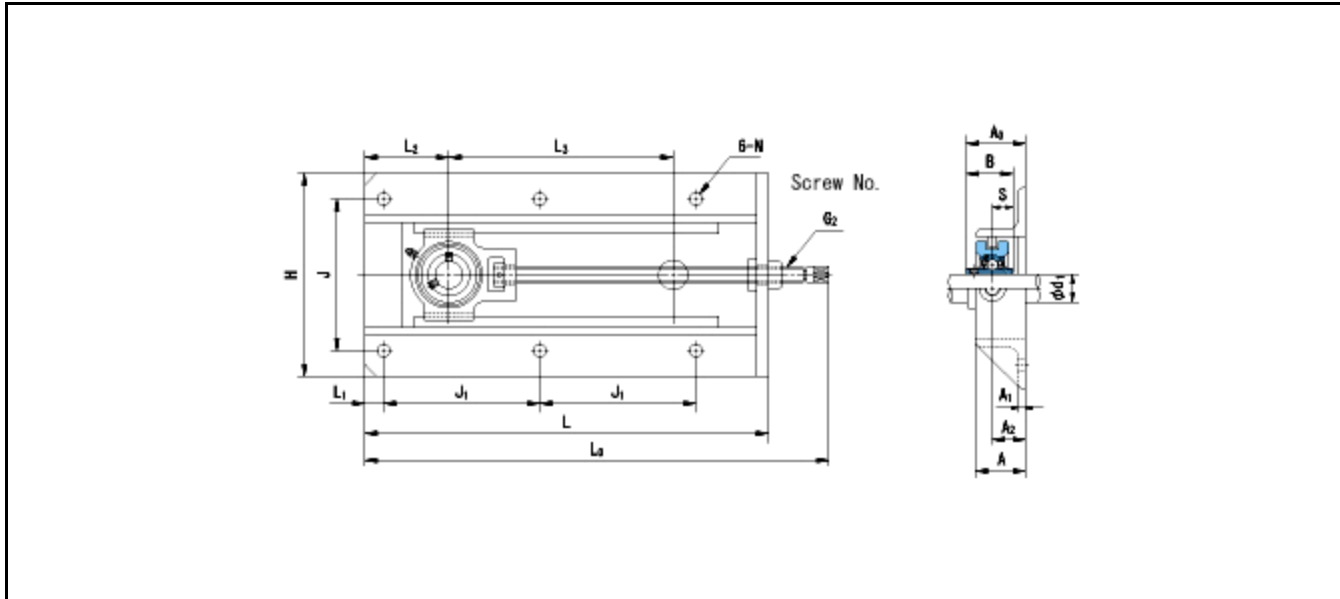
L1 = 19

L2 = 83

L3 = 150

G2 = Tr16

L0 = 367



Dimensions

d1 = 15

A1 = 29

A2 = 6

A = 50

A0 = 47.3

S = 12.7

Mass = 5 kg

| | | | | |
|--------------------------------|----------------|--------------------------------|-------------------|-------------------|
| Basic Dynamic Load Rating Cr : | 12800 N | | INNER RING | OUTER RING |
| Basic Static Load Rating Cor : | 6600 N | O.D.Surface Runout with Side : | | - |
| Limiting Speed ; | | Axial Runout with Bore : | - | - |
| Grease Lubrication : | - rpm | Axial Runout with Raceway : | - | - |
| Oil Lubrication : | - rpm | Width Variation : | - | - |
| | | Radial Runout : | - | - |