

ROECO

Bearing Data

Ball Bearing Units

Bearing No. : **UCPX18**

Dimensions

H = 101.6

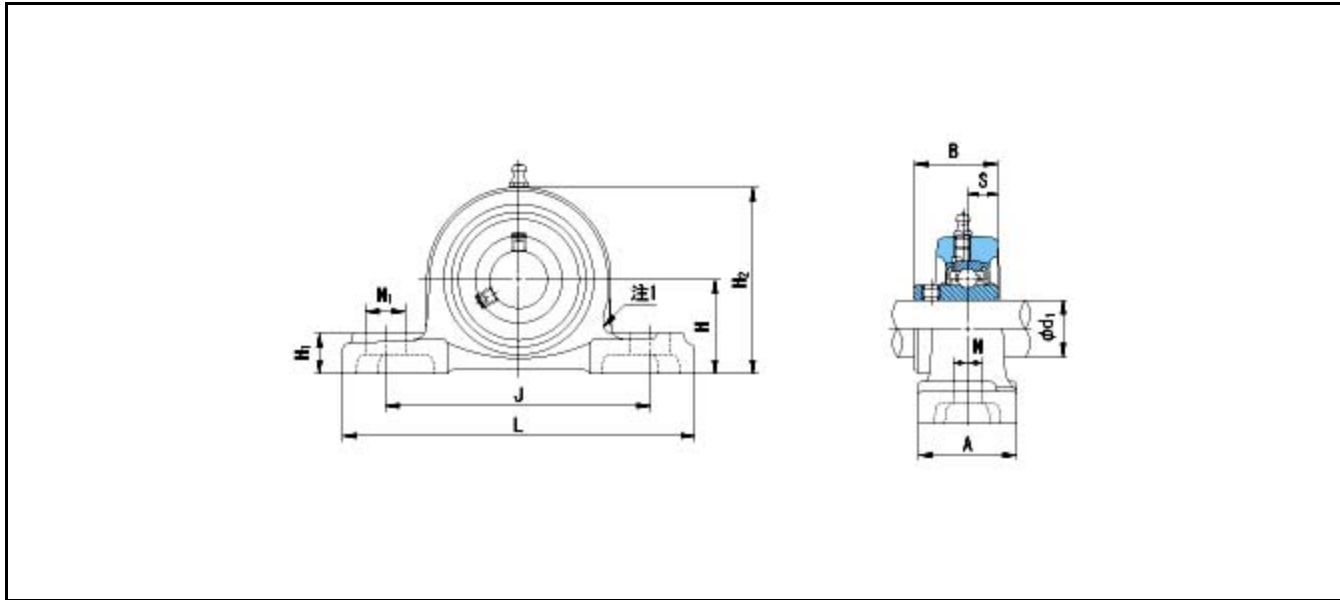
L = 381

J = 283

N1 = 60

H1 = 45

H2 = 206



Dimensions

d1 = 90

A = 111

N = 27

B = 104

S = 42.9

Mass = 17 kg

Basic Dynamic Load Rating Cr :	109000 N			
Basic Static Load Rating Cor :	81600 N	O.D.Surface Runout with Side :		-
Limiting Speed ;		Axial Runout with Bore :		-
Grease Lubrication :	- rpm	Axial Runout with Raceway :		-
Oil Lubrication :	- rpm	Width Variation :		-
		Radial Runout :		-