

ROECO

Bearing Data

Ball Bearing Units

Bearing No. : **UCPX17**

Dimensions

H = 101.6

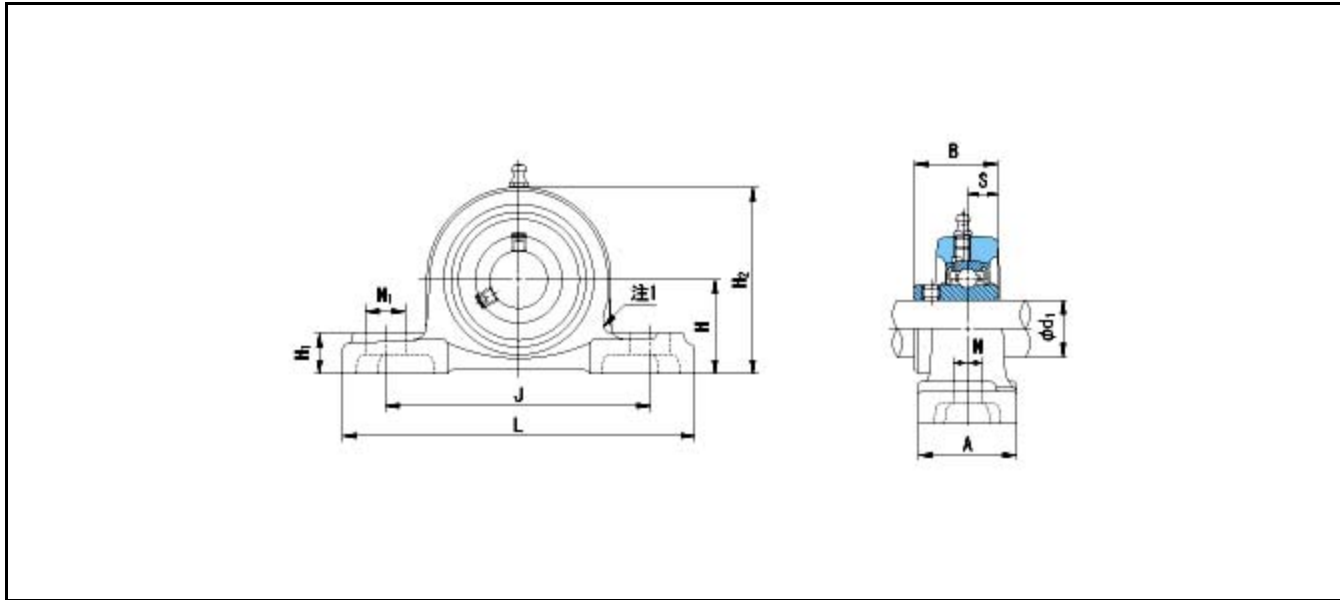
L = 381

J = 283

N1 = 59

H1 = 42

H2 = 202



Dimensions

d1 = 85

A = 102

N = 27

B = 96

S = 39.7

Mass = 17.1 kg

Basic Dynamic Load Rating Cr :	95500 N			
Basic Static Load Rating Cor :	71400 N	O.D.Surface Runout with Side :		-
Limiting Speed ;		Axial Runout with Bore :		-
Grease Lubrication :	- rpm	Axial Runout with Raceway :		-
Oil Lubrication :	- rpm	Width Variation :		-
		Radial Runout :		-