

ROECO

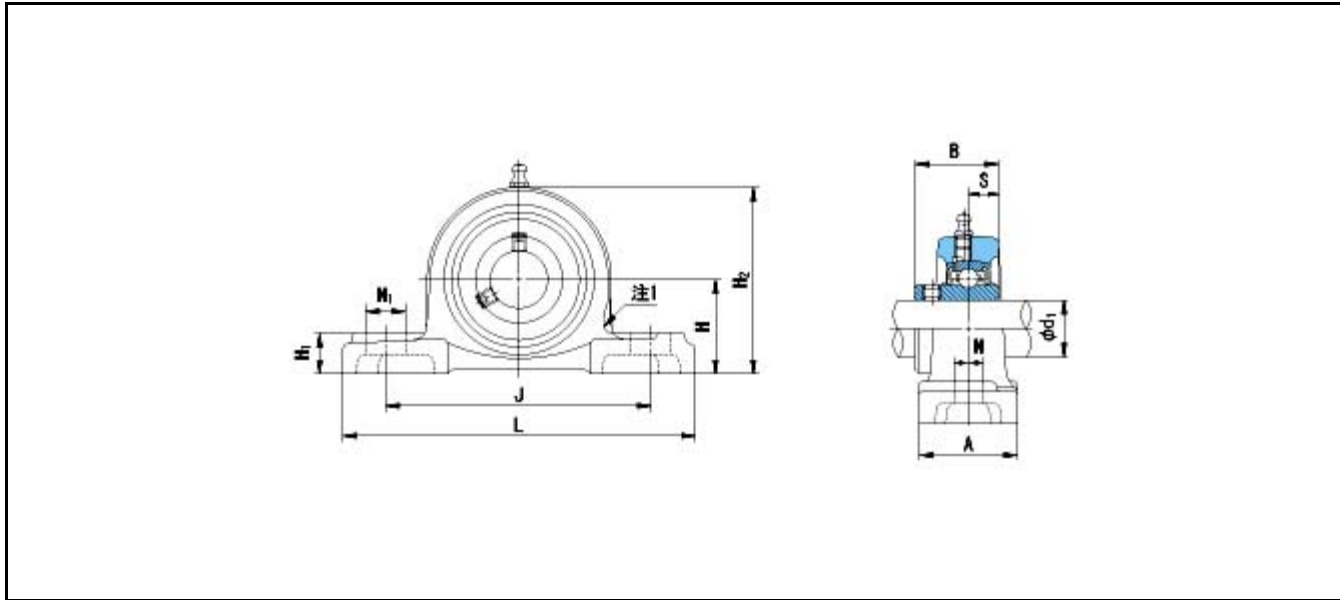
# Bearing Data

## Ball Bearing Units

Bearing No. : **UCPX14**

Dimensions

H = 88.9  
L = 330  
J = 229  
N1 = 51  
H1 = 35  
H2 = 172



Dimensions

d1 = 70  
A = 89  
N = 27  
B = 77.8  
S = 33.3  
Mass = 11.1 kg

Basic Dynamic Load Rating Cr :	<b>66000 N</b>	INNER RING	OUTER RING
Basic Static Load Rating Cor :	<b>48200 N</b>	O.D.Surface Runout with Side :	-
Limiting Speed ;		Axial Runout with Bore :	-
Grease Lubrication :	- rpm	Axial Runout with Raceway :	-
Oil Lubrication :	- rpm	Width Variation :	-
		Radial Runout :	-