

ROECO

Bearing Data

Ball Bearing Units

Bearing No. : **UCPX12**

Dimensions

H = 76.2

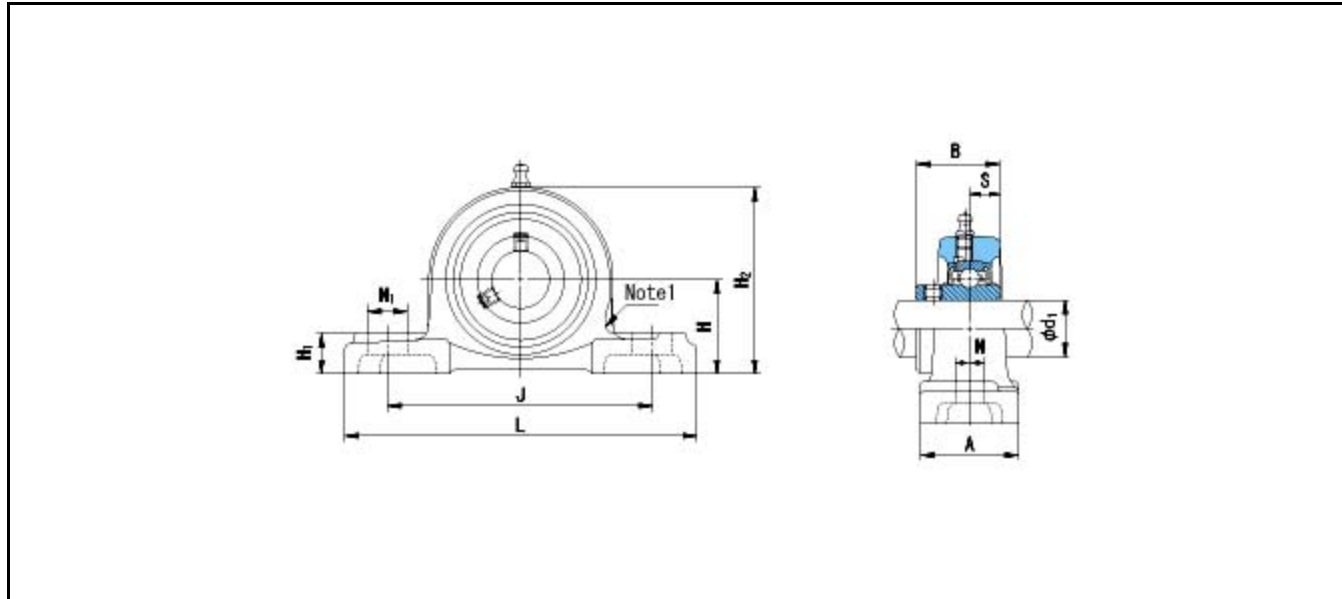
L = 286

J = 203

N1 = 41

H1 = 32

H2 = 151



Dimensions

d1 = 60

A = 83

N = 25

B = 65.1

S = 25.4

Mass = 7.2 kg

Basic Dynamic Load Rating Cr :	57500 N		
Basic Static Load Rating Cor :	40000 N		
Limiting Speed ;			
Grease Lubrication :	- rpm		
Oil Lubrication :	- rpm		
		INNER RING	OUTER RING
		O.D.Surface Runout with Side :	-
		Axial Runout with Bore :	-
		Axial Runout with Raceway :	-
		Width Variation :	-
		Radial Runout :	-