

ROECO

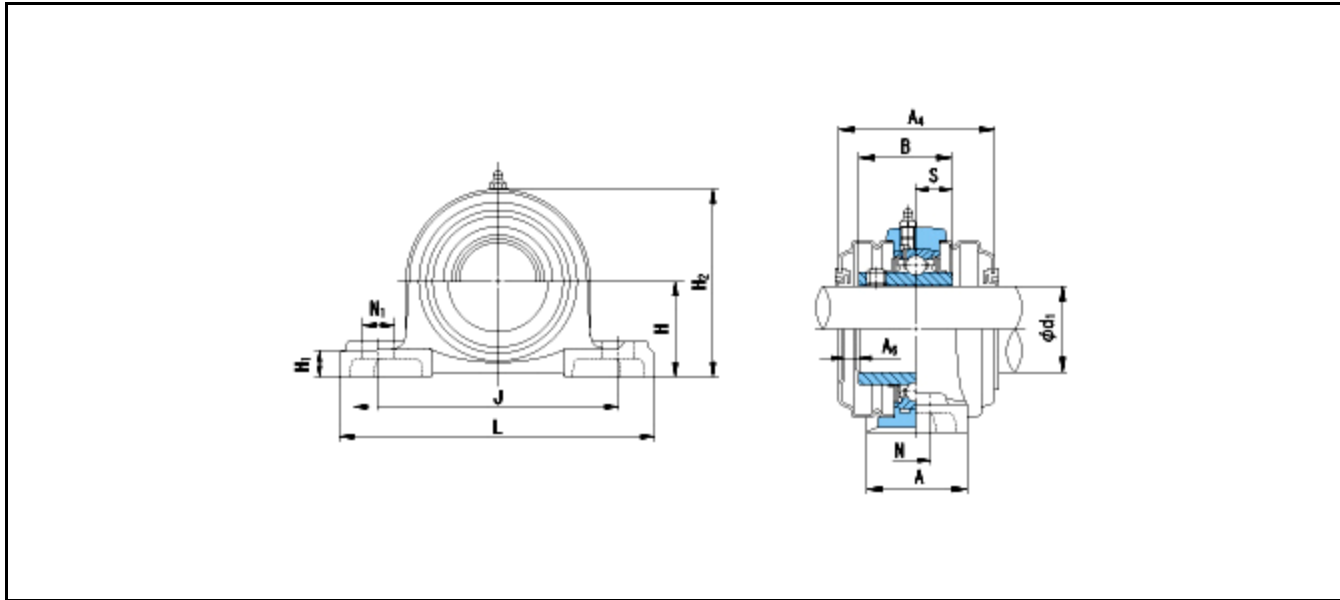
Bearing Data

Ball Bearing Units

Bearing No. : **UCPX11C**

Dimensions

- H = 69.8
- L = 260
- J = 184
- N1 = 36
- H1 = 30
- H2 = 139



Dimensions

- d1 = 55
- A = 79
- N = 25
- B = 65.1
- S = 25.4
- A4 = 100
- A6 = 9
- Mass = 6.2 kg

Basic Dynamic Load Rating Cr :	52500 N			
Basic Static Load Rating Cor :	36100 N	O.D.Surface Runout with Side :		-
Limiting Speed ;		Axial Runout with Bore :		-
Grease Lubrication :	- rpm	Axial Runout with Raceway :		-
Oil Lubrication :	- rpm	Width Variation :		-
		Radial Runout :		-