

ROECO

Bearing Data

Ball Bearing Units

Bearing No. : **UCPX11**

Dimensions

H = 69.8

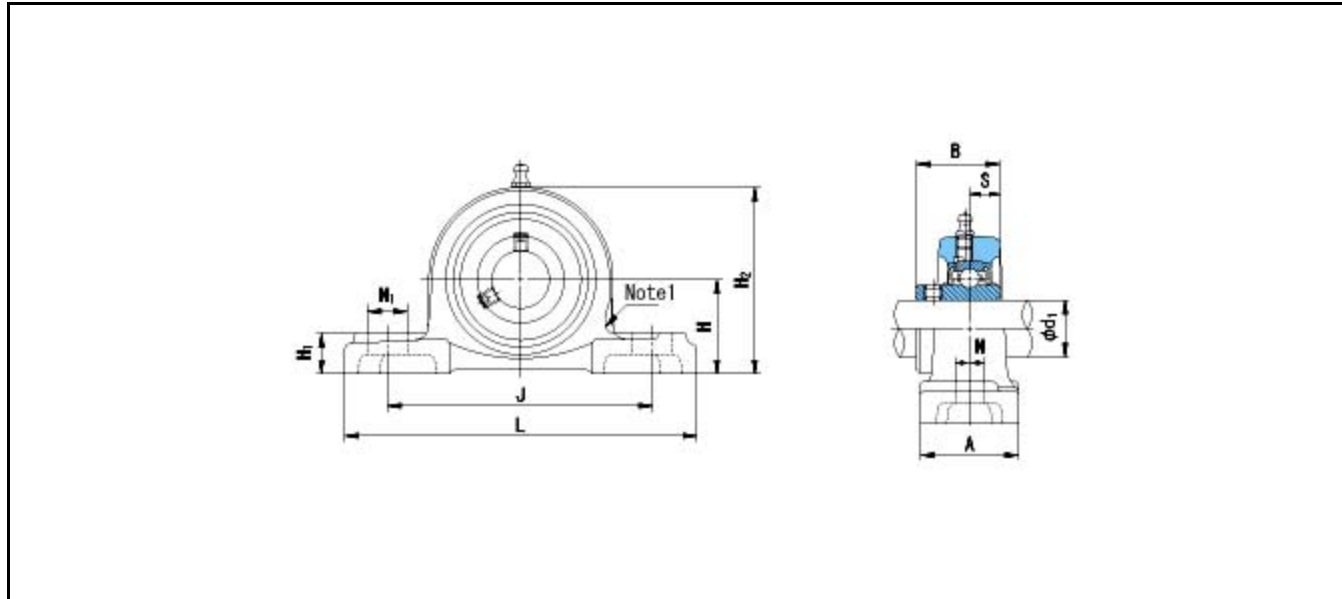
L = 260

J = 184

N1 = 36

H1 = 30

H2 = 139



Dimensions

d1 = 55

A = 79

N = 25

B = 65.1

S = 25.4

Mass = 5.9 kg

Basic Dynamic Load Rating Cr :	52500 N	INNER RING	OUTER RING
Basic Static Load Rating Cor :	36100 N	O.D.Surface Runout with Side :	-
Limiting Speed ;		Axial Runout with Bore :	-
Grease Lubrication :	- rpm	Axial Runout with Raceway :	-
Oil Lubrication :	- rpm	Width Variation :	-
		Radial Runout :	-