

ROECO

Bearing Data

Ball Bearing Units

Bearing No. : **UCPX10**

Dimensions

H = 63.5

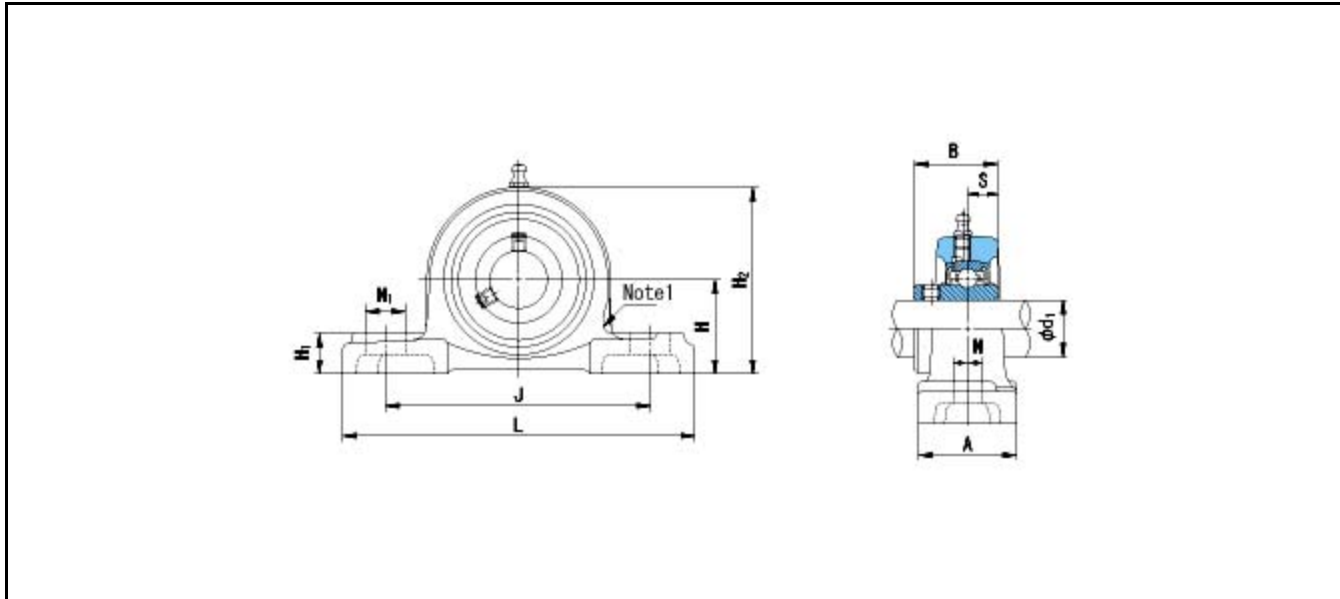
L = 241

J = 171

N1 = 36

H1 = 27

H2 = 126



Dimensions

d1 = 50

A = 73

N = 20

B = 55.6

S = 22.2

Mass = 4.2 kg

Basic Dynamic Load Rating Cr :	43000 N		INNER RING	OUTER RING
Basic Static Load Rating Cor :	29400 N	O.D.Surface Runout with Side :		-
Limiting Speed ;		Axial Runout with Bore :	-	-
Grease Lubrication :	- rpm	Axial Runout with Raceway :	-	-
Oil Lubrication :	- rpm	Width Variation :	-	-
		Radial Runout :	-	-