

ROECO

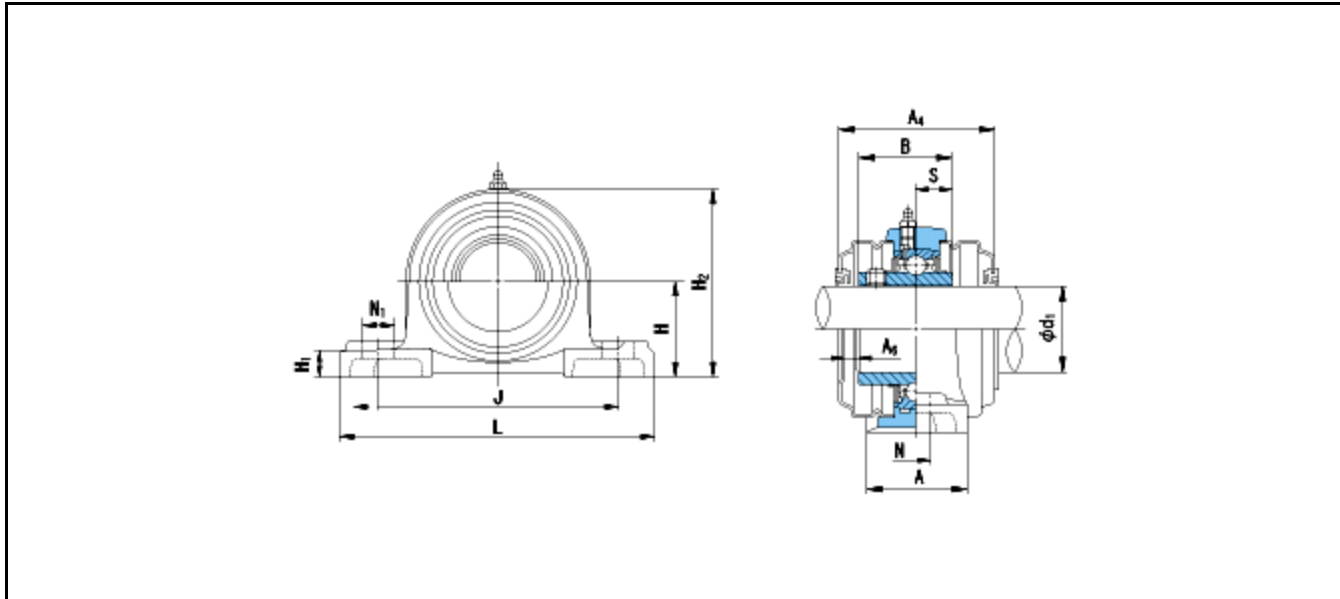
Bearing Data

Ball Bearing Units

Bearing No. : **UCPX09C**

Dimensions

H = 58.7
L = 222
J = 156
N1 = 33
H1 = 26
H2 = 116



Dimensions

d1 = 45
A = 67
N = 20
B = 51.6
S = 19
A4 = 87
A6 = 9
Mass = 3.6 kg

Basic Dynamic Load Rating Cr :	35500 N			
Basic Static Load Rating Cor :	23200 N	O.D.Surface Runout with Side :		-
Limiting Speed ;		Axial Runout with Bore :	-	-
Grease Lubrication :	- rpm	Axial Runout with Raceway :	-	-
Oil Lubrication :	- rpm	Width Variation :	-	-
		Radial Runout :	-	-

INNER RING OUTER RING