

ROECO

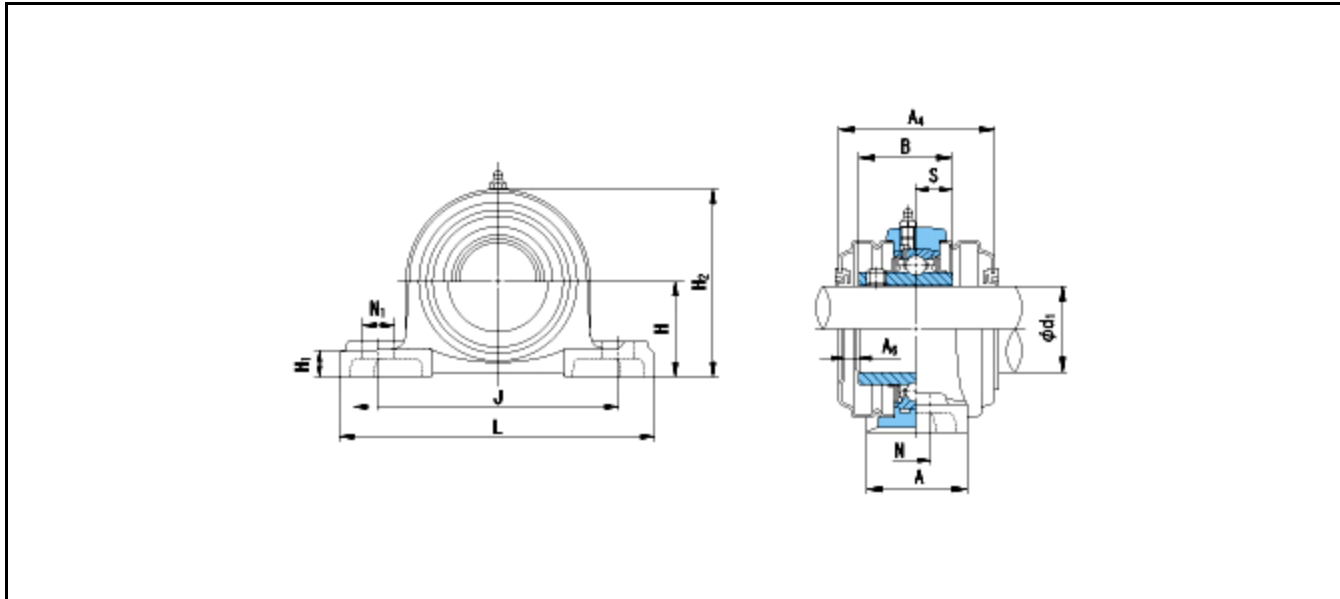
Bearing Data

Ball Bearing Units

Bearing No. : **UCPX08C**

Dimensions

- H = 58.7
- L = 222
- J = 156
- N1 = 32
- H1 = 26
- H2 = 113



Dimensions

- d1 = 40
- A = 67
- N = 20
- B = 49.2
- S = 19
- A4 = 82
- A6 = 10
- Mass = 3.5 kg

Basic Dynamic Load Rating Cr :	33000 N		INNER RING	OUTER RING
Basic Static Load Rating Cor :	20500 N	O.D.Surface Runout with Side :		-
Limiting Speed ;		Axial Runout with Bore :	-	-
Grease Lubrication :	- rpm	Axial Runout with Raceway :	-	-
Oil Lubrication :	- rpm	Width Variation :	-	-
		Radial Runout :	-	-