

ROECO

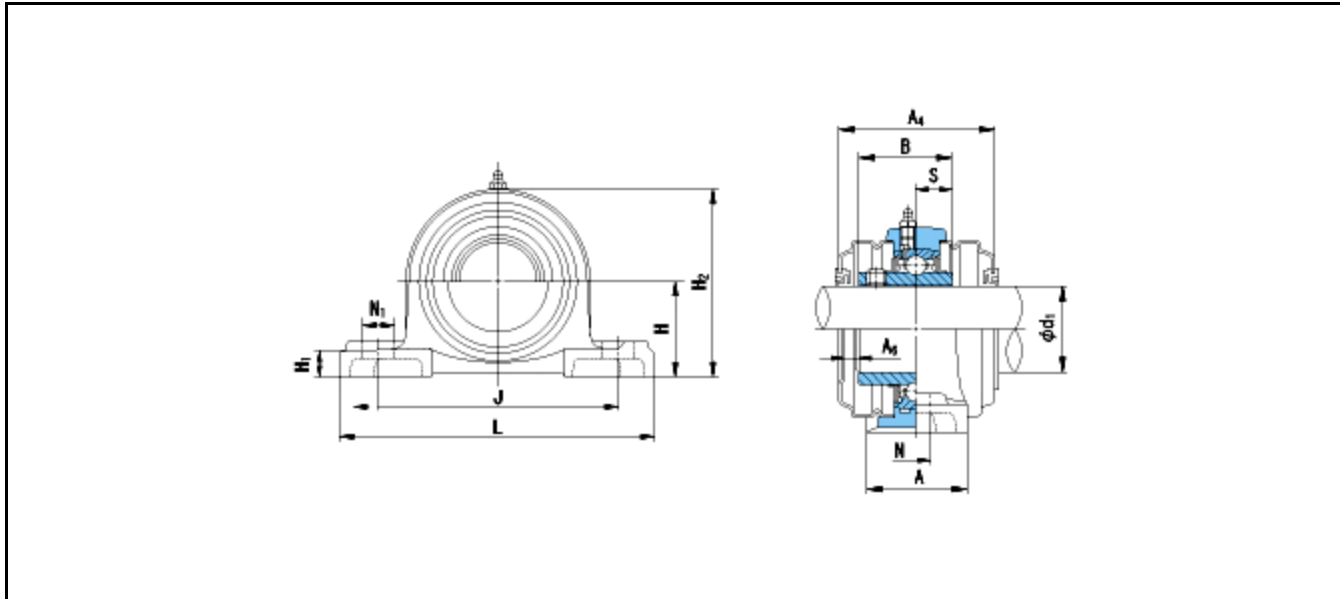
# Bearing Data

## Ball Bearing Units

Bearing No. : **UCPX07C**

Dimensions

- H = 54
- L = 203
- J = 144
- N1 = 30
- H1 = 22
- H2 = 105



Dimensions

- d1 = 35
- A = 57
- N = 17
- B = 49.2
- S = 19
- A4 = 83
- A6 = 10
- Mass = 2.7 kg

|                                       |                |                                       |  |          |
|---------------------------------------|----------------|---------------------------------------|--|----------|
| <b>Basic Dynamic Load Rating Cr :</b> | <b>29300 N</b> |                                       |  |          |
| <b>Basic Static Load Rating Cor :</b> | <b>17900 N</b> | <b>O.D.Surface Runout with Side :</b> |  | <b>-</b> |
| <b>Limiting Speed ;</b>               |                | <b>Axial Runout with Bore :</b>       |  | <b>-</b> |
| <b>Grease Lubrication :</b>           | <b>- rpm</b>   | <b>Axial Runout with Raceway :</b>    |  | <b>-</b> |
| <b>Oil Lubrication :</b>              | <b>- rpm</b>   | <b>Width Variation :</b>              |  | <b>-</b> |
|                                       |                | <b>Radial Runout :</b>                |  | <b>-</b> |

**INNER RING OUTER RING**