

ROECO

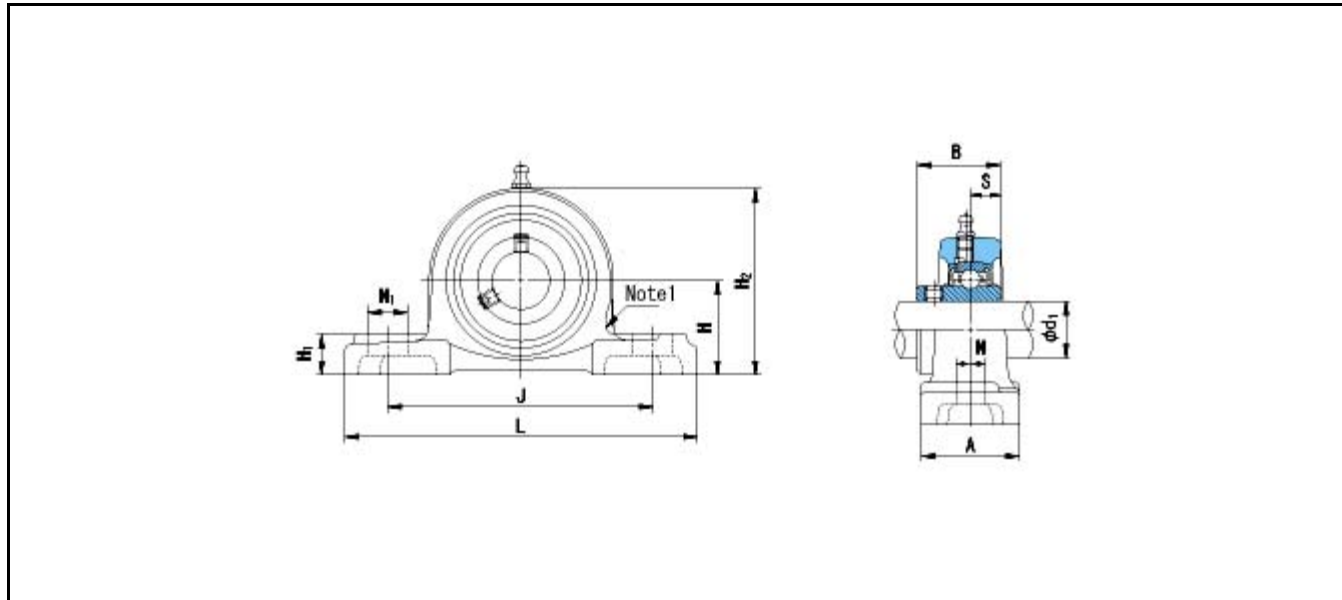
Bearing Data

Ball Bearing Units

Bearing No. : **UCPX07**

Dimensions

H = 54
L = 203
J = 144
N1 = 30
H1 = 22
H2 = 105



Dimensions

d1 = 35
A = 57
N = 17
B = 49.2
S = 19
Mass = 2.7 kg

Basic Dynamic Load Rating Cr :	29300 N		INNER RING	OUTER RING
Basic Static Load Rating Cor :	17900 N	O.D.Surface Runout with Side :	-	-
Limiting Speed ;		Axial Runout with Bore :	-	-
Grease Lubrication :	- rpm	Axial Runout with Raceway :	-	-
Oil Lubrication :	- rpm	Width Variation :	-	-
		Radial Runout :	-	-