

ROECO

# Bearing Data

## Ball Bearing Units

Bearing No. : **UCPX06E**

Dimensions

H = 47.6

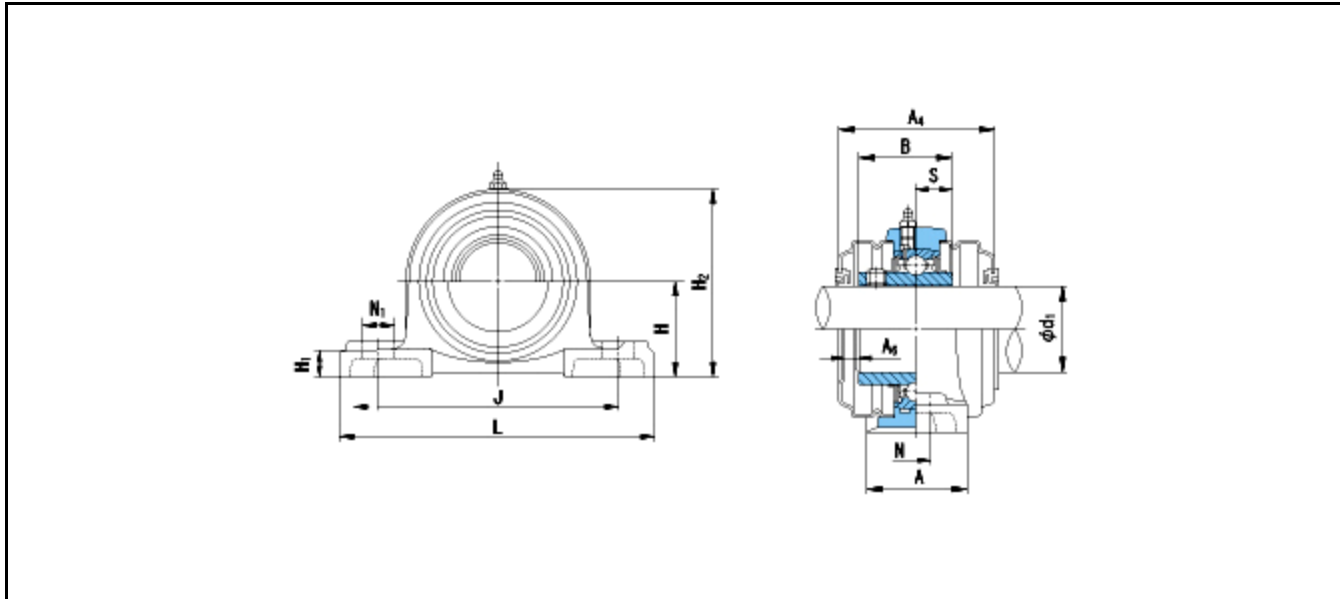
L = 175

J = 127

N1 = 25

H1 = 20

H2 = 94



Dimensions

d1 = 30

A = 57

N = 17

B = 42.9

S = 17.5

A4 = 70

A6 = 8

Mass = 1.9 kg

<b>Basic Dynamic Load Rating Cr :</b>	<b>25900 N</b>	<b>INNER RING</b>	<b>OUTER RING</b>
<b>Basic Static Load Rating Cor :</b>	<b>15400 N</b>	<b>O.D.Surface Runout with Side :</b>	-
<b>Limiting Speed ;</b>		<b>Axial Runout with Bore :</b>	-
<b>Grease Lubrication :</b>	- rpm	<b>Axial Runout with Raceway :</b>	-
<b>Oil Lubrication :</b>	- rpm	<b>Width Variation :</b>	-
		<b>Radial Runout :</b>	-