

ROECO

# Bearing Data

## Ball Bearing Units

Bearing No. : **UCPX06**

Dimensions

H = 47.6

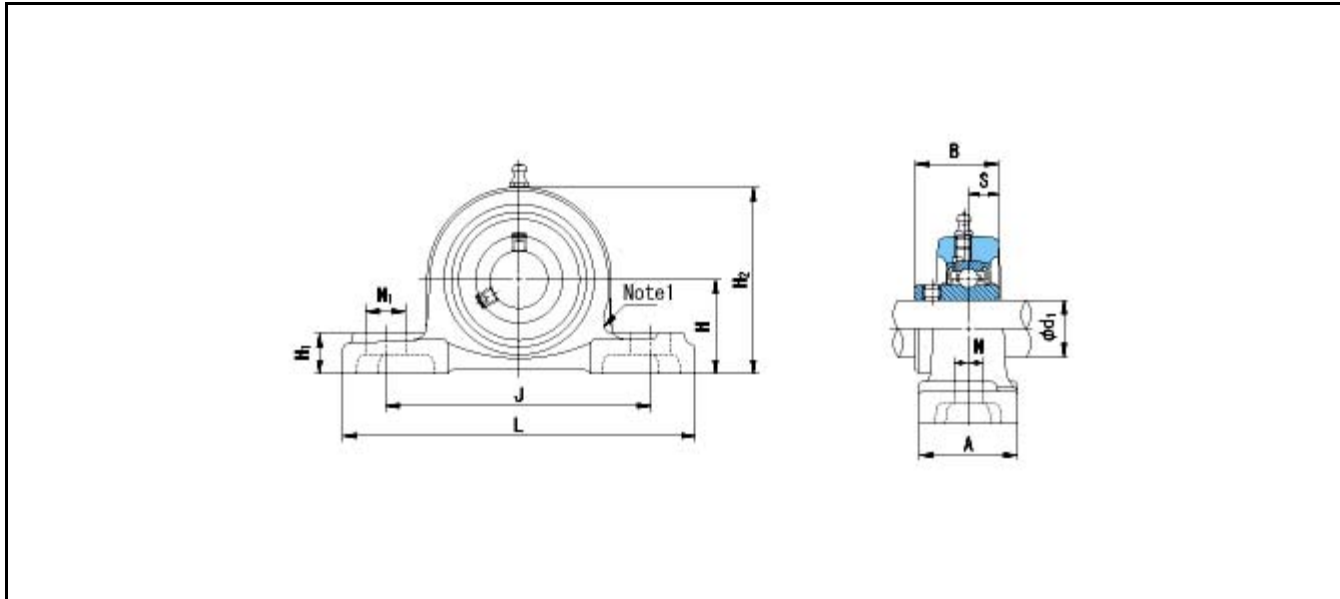
L = 175

J = 127

N1 = 25

H1 = 20

H2 = 94



Dimensions

d1 = 30

A = 57

N = 17

B = 42.9

S = 17.5

Mass = 1.9 kg

Basic Dynamic Load Rating Cr :	<b>25900 N</b>		<b>INNER RING</b>	<b>OUTER RING</b>
Basic Static Load Rating Cor :	<b>15400 N</b>	O.D.Surface Runout with Side :		-
Limiting Speed ;		Axial Runout with Bore :	-	-
Grease Lubrication :	- rpm	Axial Runout with Raceway :	-	-
Oil Lubrication :	- rpm	Width Variation :	-	-
		Radial Runout :	-	-