

ROECO

# Bearing Data

## Ball Bearing Units

Bearing No. : **UCPH209**

Dimensions

H = 105

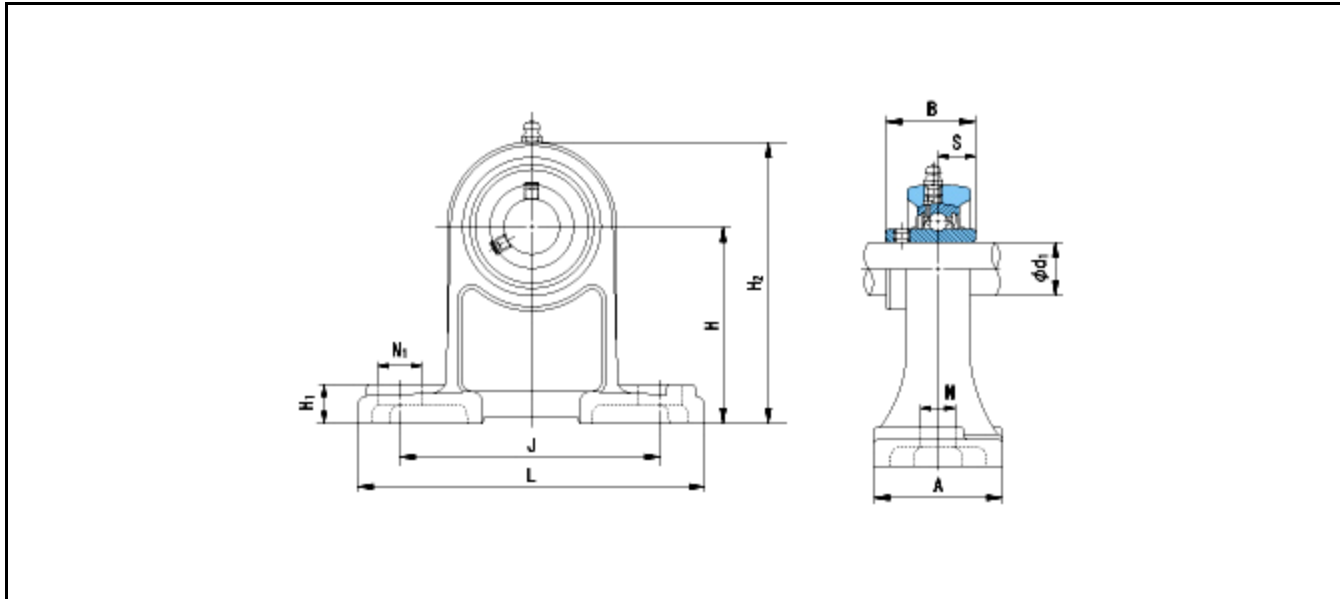
L = 190

J = 146

N1 = 25

H1 = 20

H2 = 157



Dimensions

d1 = 45

A = 70

B = 49.2

S = 19

Mass = 3.2 kg

Basic Dynamic Load Rating Cr :	<b>33000 N</b>		<b>INNER RING</b>	<b>OUTER RING</b>
Basic Static Load Rating Cor :	<b>20500 N</b>	O.D.Surface Runout with Side :		-
Limiting Speed ;		Axial Runout with Bore :	-	-
Grease Lubrication :	- rpm	Axial Runout with Raceway :	-	-
Oil Lubrication :	- rpm	Width Variation :	-	-
		Radial Runout :	-	-