

ROECO

Bearing Data

Ball Bearing Units

Bearing No. : **UCPH207**

Dimensions

H = 95

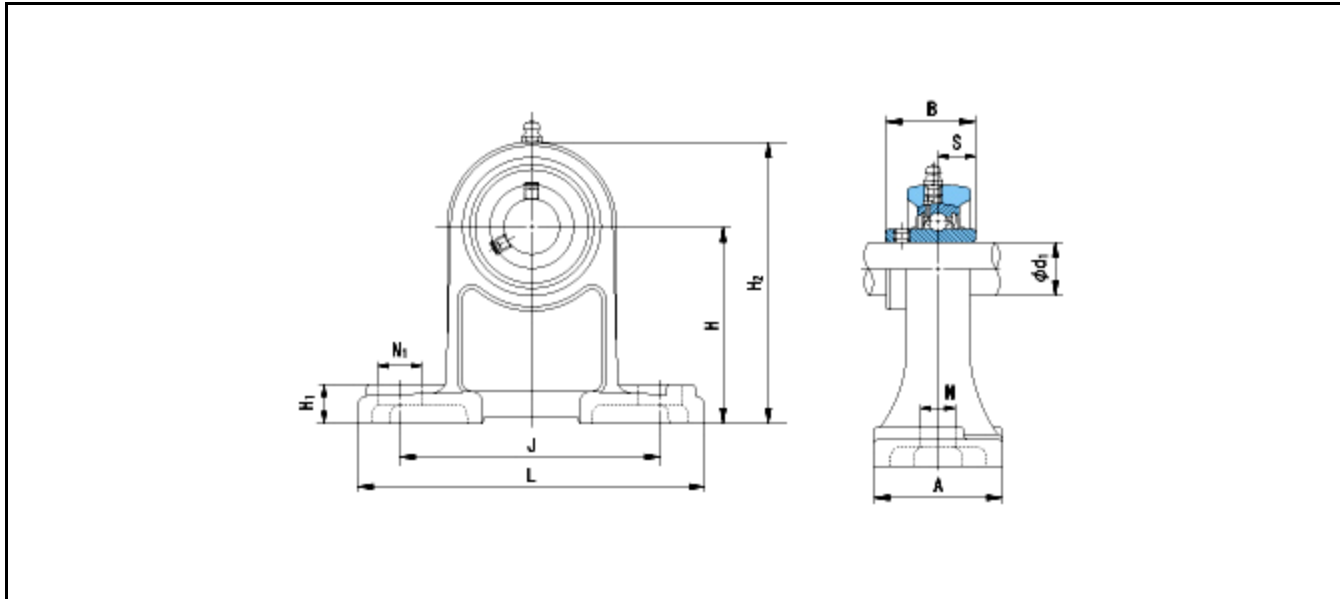
L = 167

J = 127

N1 = 21

H1 = 19

H2 = 140



Dimensions

d1 = 35

A = 60

B = 42.9

S = 17.5

Mass = 2.4 kg

| | | | | | |
|--------------------------------|----------------|--------------------------------|--|--|---|
| Basic Dynamic Load Rating Cr : | 25900 N | | | | |
| Basic Static Load Rating Cor : | 15400 N | O.D.Surface Runout with Side : | | | - |
| Limiting Speed ; | | Axial Runout with Bore : | | | - |
| Grease Lubrication : | - rpm | Axial Runout with Raceway : | | | - |
| Oil Lubrication : | - rpm | Width Variation : | | | - |
| | | Radial Runout : | | | - |