

ROECO

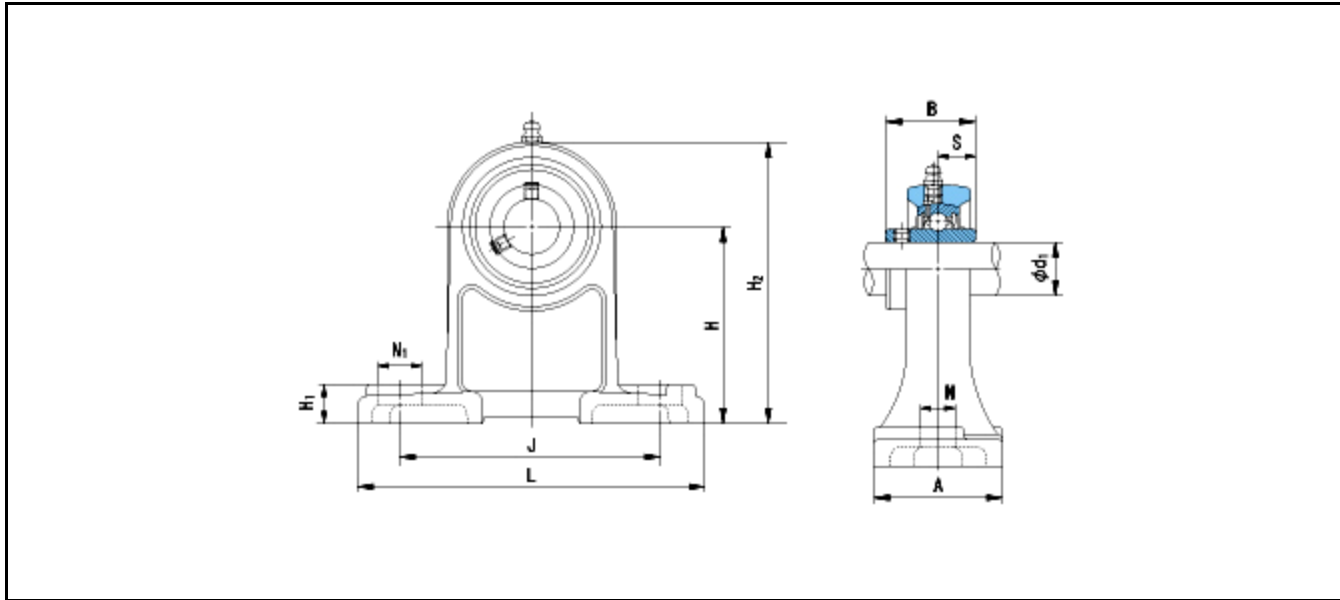
Bearing Data

Ball Bearing Units

Bearing No. : **UCPH206**

Dimensions

- H = 90
- L = 165
- J = 121
- N1 = 21
- H1 = 18
- H2 = 130



Dimensions

- d1 = 30
- A = 50
- B = 38.1
- S = 15.9
- Mass = 1.9 kg

Basic Dynamic Load Rating Cr :	19600 N	INNER RING	OUTER RING
Basic Static Load Rating Cor :	11300 N	O.D.Surface Runout with Side :	-
Limiting Speed ;		Axial Runout with Bore :	-
Grease Lubrication :	- rpm	Axial Runout with Raceway :	-
Oil Lubrication :	- rpm	Width Variation :	-
		Radial Runout :	-