

ROECO

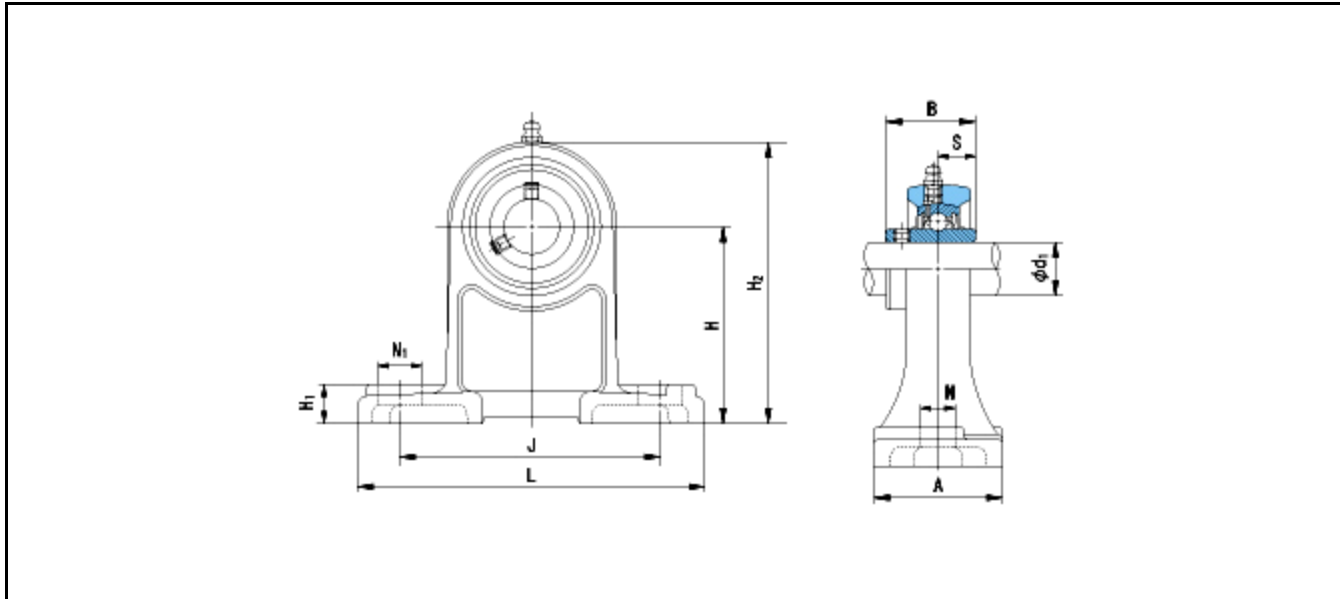
Bearing Data

Ball Bearing Units

Bearing No. : **UCPH205**

Dimensions

- H = 80
- L = 140
- J = 105
- N1 = 19
- H1 = 16
- H2 = 114



Dimensions

- d1 = 25
- A = 50
- B = 34
- S = 14.3
- Mass = 1.2 kg

Basic Dynamic Load Rating Cr :	14000 N			
Basic Static Load Rating Cor :	7900 N	O.D.Surface Runout with Side :		-
Limiting Speed ;		Axial Runout with Bore :		-
Grease Lubrication :	- rpm	Axial Runout with Raceway :		-
Oil Lubrication :	- rpm	Width Variation :		-
		Radial Runout :		-