

ROECO

# Bearing Data

## Ball Bearing Units

Bearing No. : **UCPH204**

Dimensions

H = 70

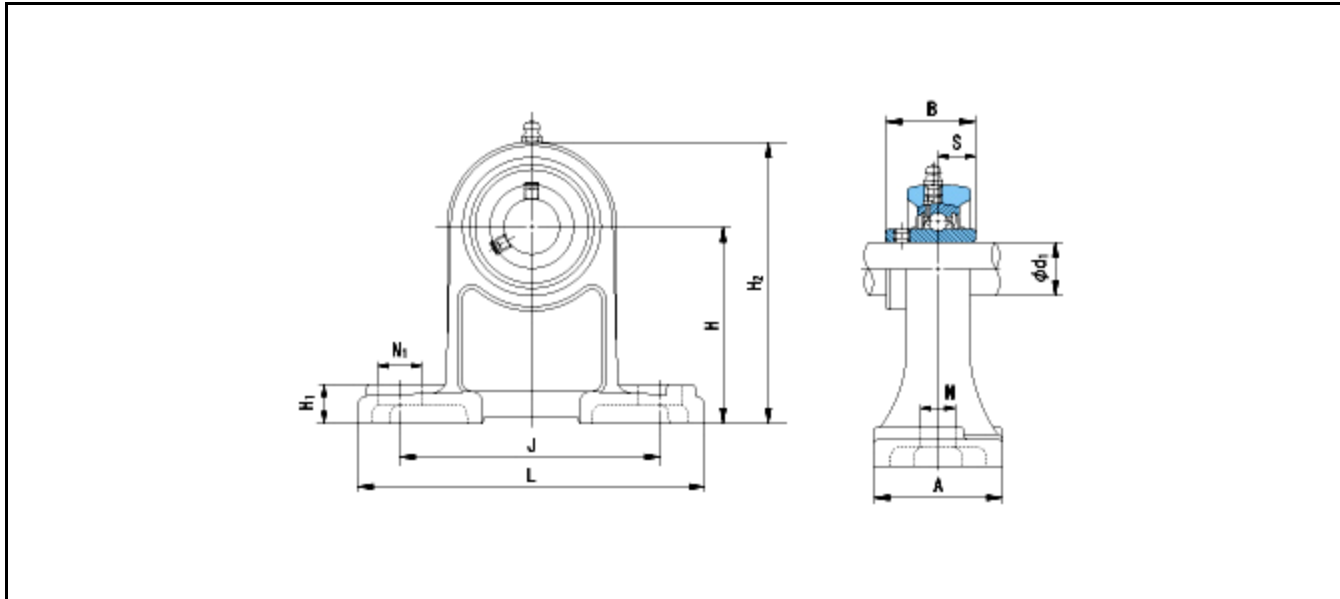
L = 127

J = 95

N1 = 19

H1 = 15

H2 = 101



Dimensions

d1 = 20

A = 40

B = 31

S = 12.7

Mass = 0.96 kg

Basic Dynamic Load Rating Cr :	<b>12800 N</b>				
Basic Static Load Rating Cor :	<b>6600 N</b>	O.D.Surface Runout with Side :			-
Limiting Speed ;		Axial Runout with Bore :			-
Grease Lubrication :	- rpm	Axial Runout with Raceway :			-
Oil Lubrication :	- rpm	Width Variation :			-
		Radial Runout :			-