

ROECO

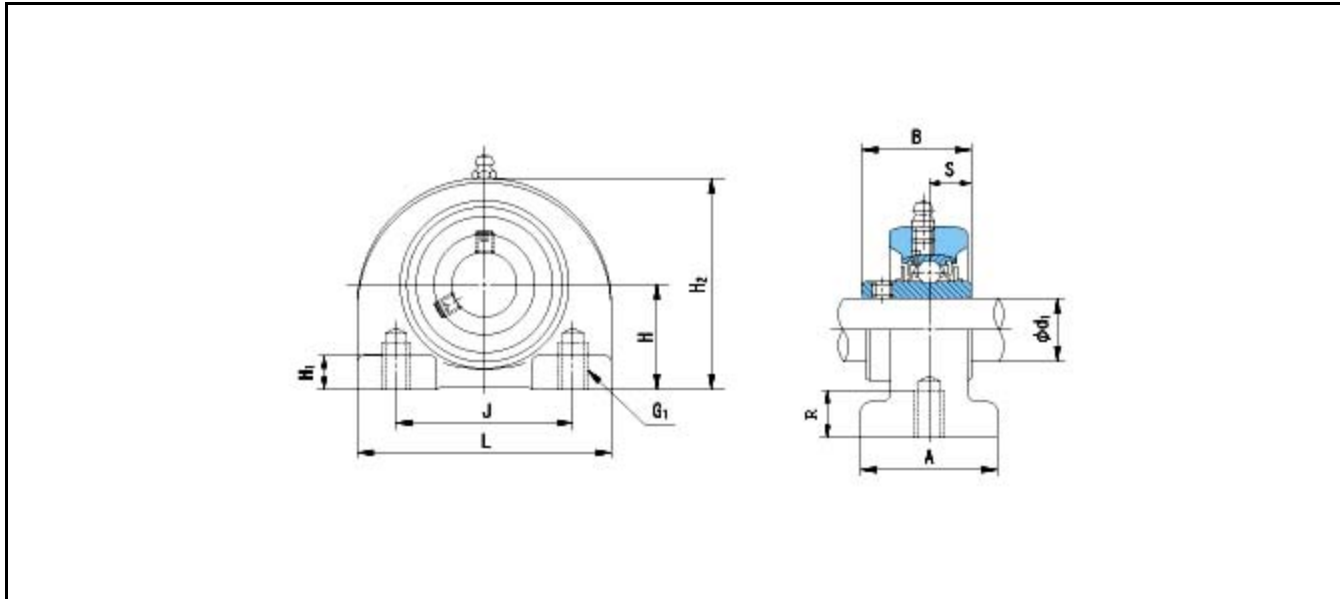
Bearing Data

Ball Bearing Units

Bearing No. : **UCPA210**

Dimensions

- H = 57.2
- L = 130
- J = 94
- G1 = M16*2
- H1 = 14
- H2 = 116



Dimensions

- d1 = 50
- A = 60
- B = 51.6
- S = 19
- I = 130
- Mass = 2.52 kg

Basic Dynamic Load Rating Cr :	35500 N		INNER RING	OUTER RING
Basic Static Load Rating Cor :	23200 N	O.D.Surface Runout with Side :		-
Limiting Speed ;		Axial Runout with Bore :	-	-
		Axial Runout with Raceway :	-	-
Grease Lubrication :	- rpm	Width Variation :	-	-
Oil Lubrication :	- rpm	Radial Runout :	-	-