

ROECO

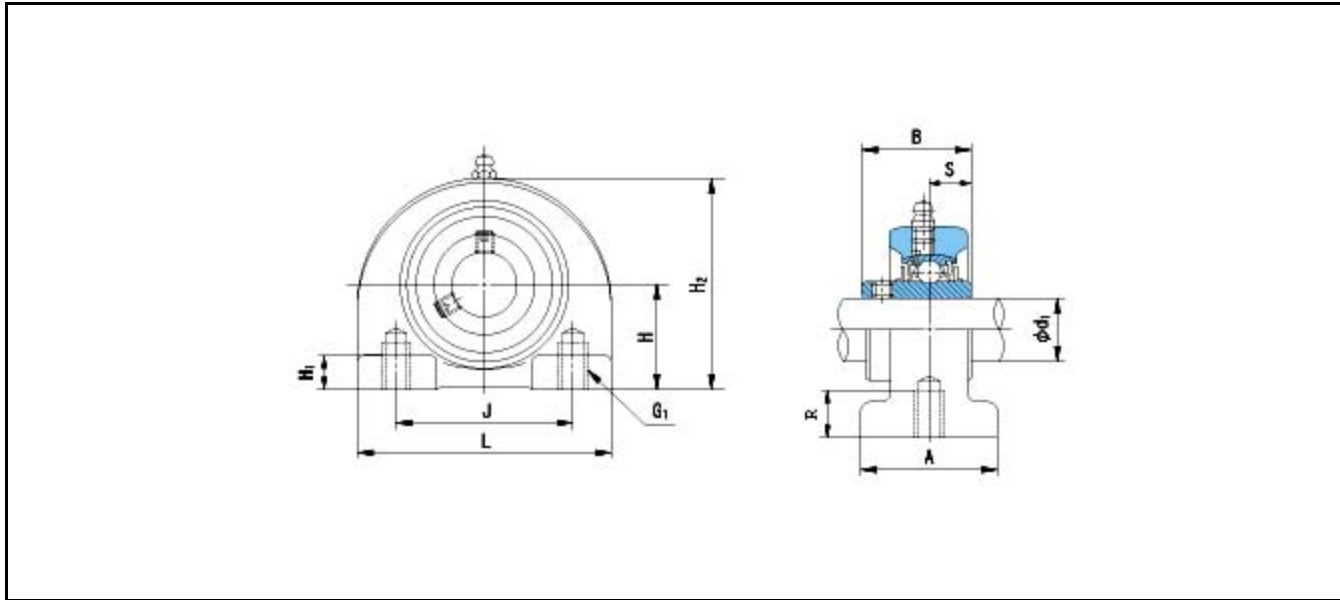
Bearing Data

Ball Bearing Units

Bearing No. : **UCPA207**

Dimensions

- H = 47.6
- L = 110
- J = 80
- G1 = M14*2
- H1 = 12
- H2 = 95



Dimensions

- d1 = 35
- A = 48
- B = 42.9
- S = 17.5
- I = 110
- Mass = 1.63 kg

Basic Dynamic Load Rating Cr :	25900 N	INNER RING	OUTER RING
Basic Static Load Rating Cor :	15400 N	O.D.Surface Runout with Side :	-
Limiting Speed ;		Axial Runout with Bore :	-
Grease Lubrication :	- rpm	Axial Runout with Raceway :	-
Oil Lubrication :	- rpm	Width Variation :	-
		Radial Runout :	-