

ROECO

Bearing Data

Ball Bearing Units

Bearing No. : **UCPA206**

Dimensions

H = 42.9

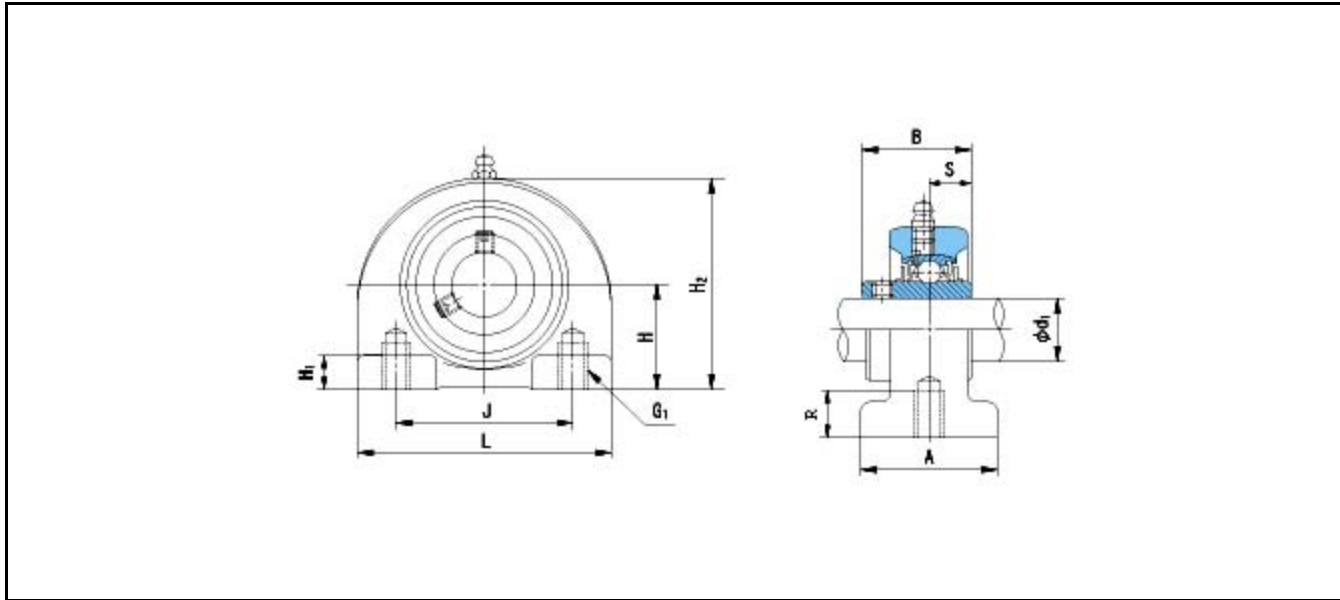
L = 94

J = 66

G1 = M14*2

H1 = 10

H2 = 84



Dimensions

d1 = 30

A = 48

B = 38.1

S = 15.9

I = 94

Mass = 1.11 kg

Basic Dynamic Load Rating Cr :	19600 N	INNER RING	OUTER RING
Basic Static Load Rating Cor :	11300 N	O.D.Surface Runout with Side :	-
Limiting Speed ;		Axial Runout with Bore :	-
Grease Lubrication :	- rpm	Axial Runout with Raceway :	-
Oil Lubrication :	- rpm	Width Variation :	-
		Radial Runout :	-