

ROECO

# Bearing Data

## Ball Bearing Units

Bearing No. : **UCP321**

Dimensions

H = 140

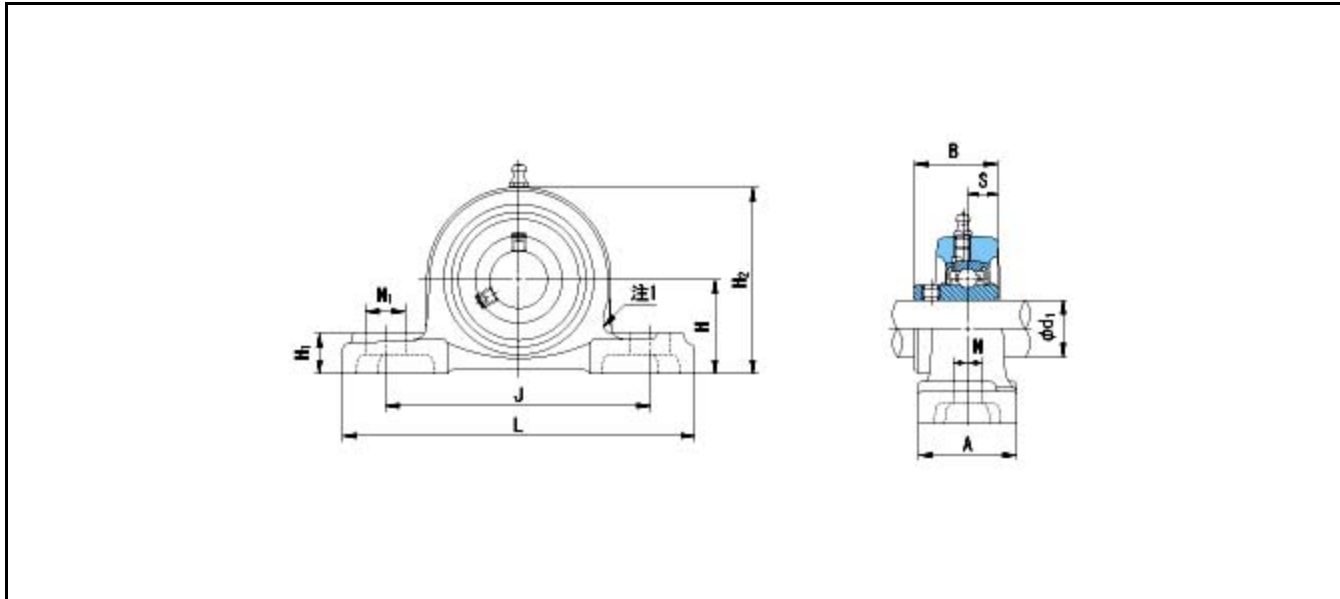
L = 490

J = 380

N1 = 50

H1 = 55

H2 = 278



Dimensions

d1 = 105

A = 120

N = 36

B = 112

S = 44

Mass = 36.6 kg

|                                |                 |                                |   |
|--------------------------------|-----------------|--------------------------------|---|
| Basic Dynamic Load Rating Cr : | <b>183000 N</b> |                                |   |
| Basic Static Load Rating Cor : | <b>153100 N</b> | O.D.Surface Runout with Side : | - |
| Limiting Speed ;               |                 | Axial Runout with Bore :       | - |
| Grease Lubrication :           | - rpm           | Axial Runout with Raceway :    | - |
| Oil Lubrication :              | - rpm           | Width Variation :              | - |
|                                |                 | Radial Runout :                | - |