

ROECO

# Bearing Data

## Ball Bearing Units

Bearing No. : **UCP315**

Dimensions

H = 100

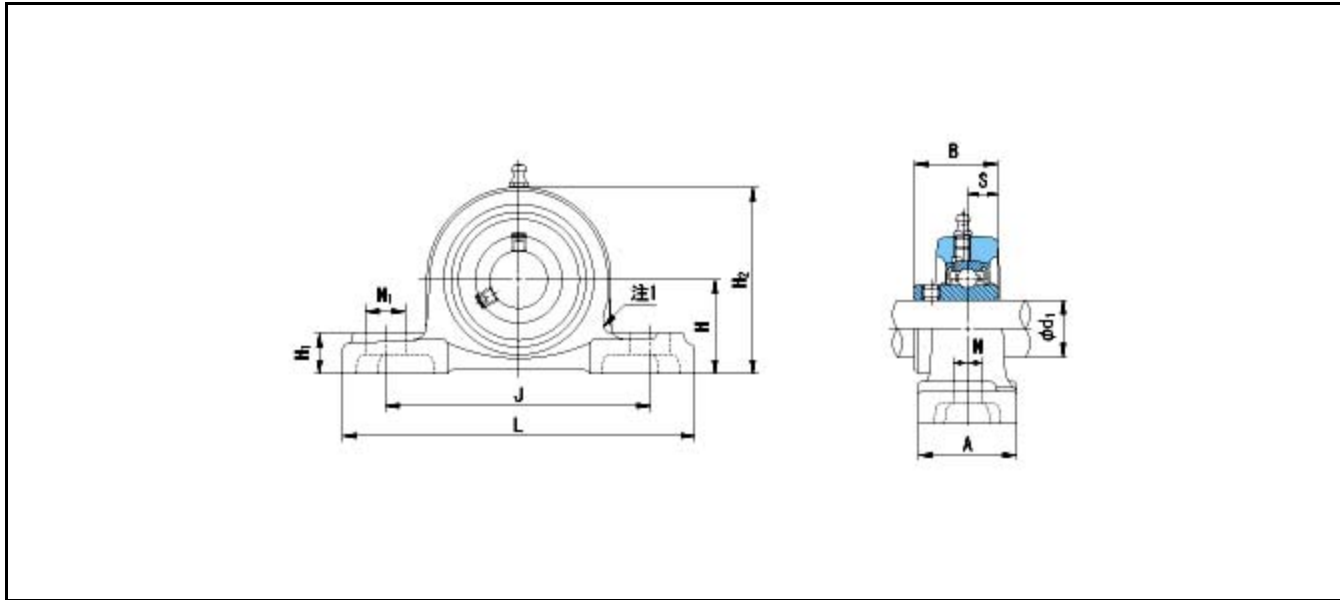
L = 380

J = 290

N1 = 40

H1 = 40

H2 = 197



Dimensions

d1 = 75

A = 100

N = 27

B = 82

S = 32

Mass = 13.6 kg

Basic Dynamic Load Rating Cr :	<b>114000 N</b>		
Basic Static Load Rating Cor :	<b>76900 N</b>		
Limiting Speed ;			
Grease Lubrication :	- rpm		
Oil Lubrication :	- rpm		
		<b>INNER RING</b>	<b>OUTER RING</b>
		O.D.Surface Runout with Side :	-
		Axial Runout with Bore :	-
		Axial Runout with Raceway :	-
		Width Variation :	-
		Radial Runout :	-