

ROECO

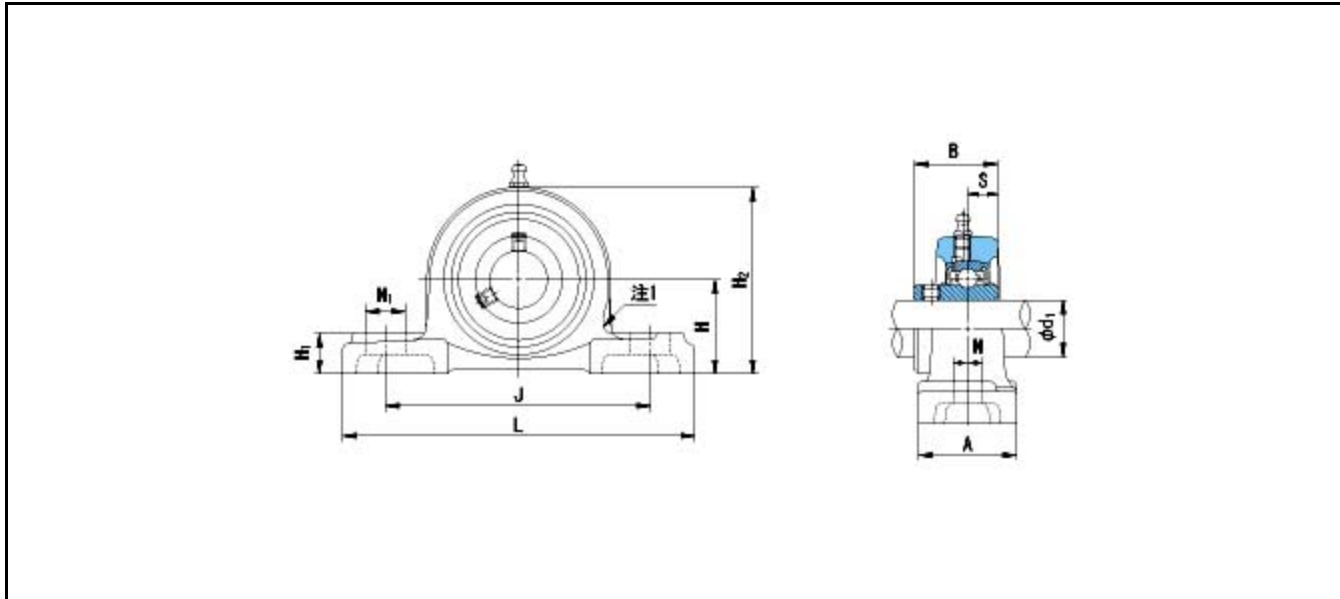
Bearing Data

Ball Bearing Units

Bearing No. : **UCP314**

Dimensions

H = 95
L = 360
J = 280
N1 = 40
H1 = 40
H2 = 186



Dimensions

d1 = 70
A = 90
N = 27
B = 78
S = 33
Mass = 11.4 kg

Basic Dynamic Load Rating Cr :	104000 N		
Basic Static Load Rating Cor :	68000 N		
Limiting Speed ;			
Grease Lubrication :	- rpm		
Oil Lubrication :	- rpm		
		INNER RING	OUTER RING
		O.D.Surface Runout with Side :	-
		Axial Runout with Bore :	-
		Axial Runout with Raceway :	-
		Width Variation :	-
		Radial Runout :	-