

ROECO

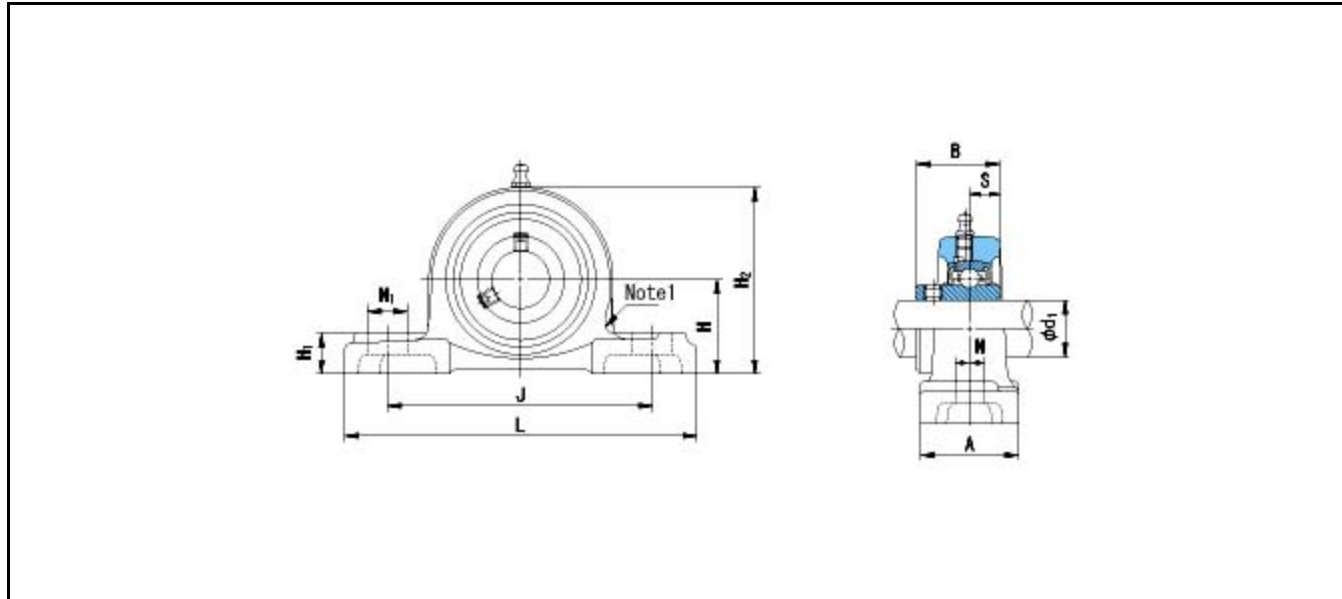
# Bearing Data

## Ball Bearing Units

Bearing No. : **UCP311**

Dimensions

H = 80  
L = 310  
J = 236  
N1 = 38  
H1 = 31  
H2 = 154



Dimensions

d1 = 55  
A = 80  
N = 20  
B = 66  
S = 25  
Mass = 7.7 kg

Basic Dynamic Load Rating Cr :	<b>71500 N</b>		
Basic Static Load Rating Cor :	<b>44800 N</b>		
Limiting Speed ;			
Grease Lubrication :	- rpm		
Oil Lubrication :	- rpm		
		INNER RING	OUTER RING
		O.D.Surface Runout with Side :	-
		Axial Runout with Bore :	-
		Axial Runout with Raceway :	-
		Width Variation :	-
		Radial Runout :	-