

ROECO

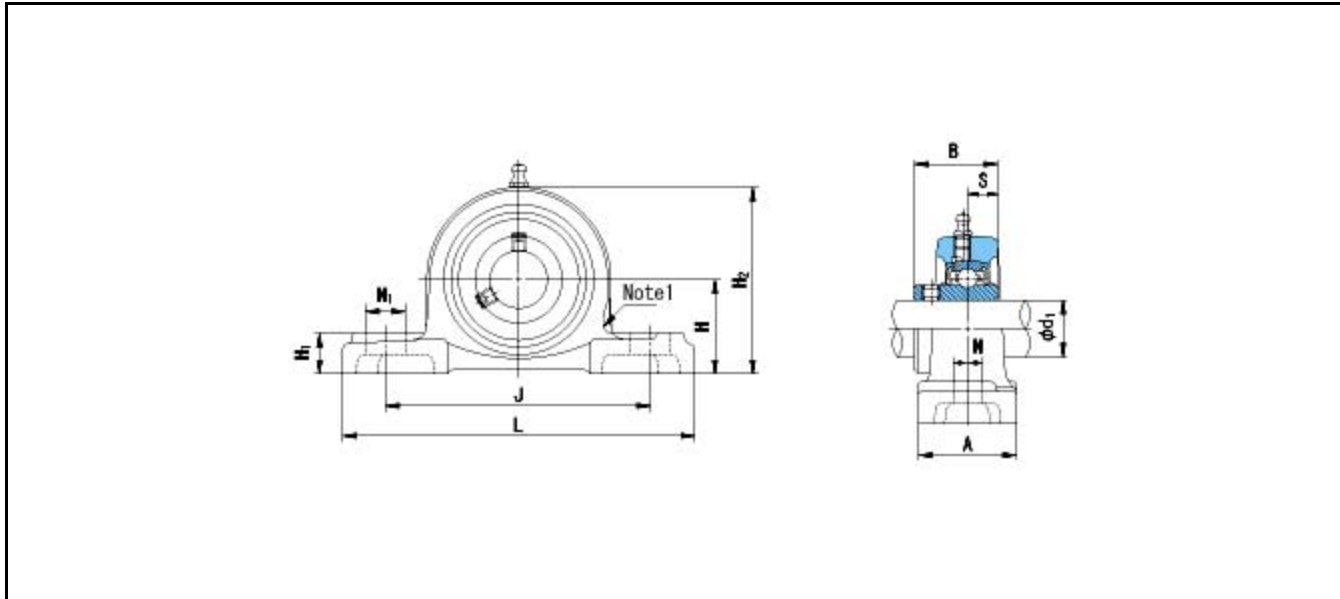
# Bearing Data

## Ball Bearing Units

Bearing No. : **UCP310**

Dimensions

- H = 75
- L = 275
- J = 212
- N1 = 35
- H1 = 28
- H2 = 143



Dimensions

- d1 = 50
- A = 75
- N = 20
- B = 61
- S = 22
- Mass = 6.2 kg

<b>Basic Dynamic Load Rating Cr :</b>	<b>61500 N</b>	<b>INNER RING</b>	<b>OUTER RING</b>
<b>Basic Static Load Rating Cor :</b>	<b>38200 N</b>	<b>O.D.Surface Runout with Side :</b>	-
<b>Limiting Speed ;</b>		<b>Axial Runout with Bore :</b>	-
<b>Grease Lubrication :</b>	- rpm	<b>Axial Runout with Raceway :</b>	-
<b>Oil Lubrication :</b>	- rpm	<b>Width Variation :</b>	-
		<b>Radial Runout :</b>	-