

ROECO

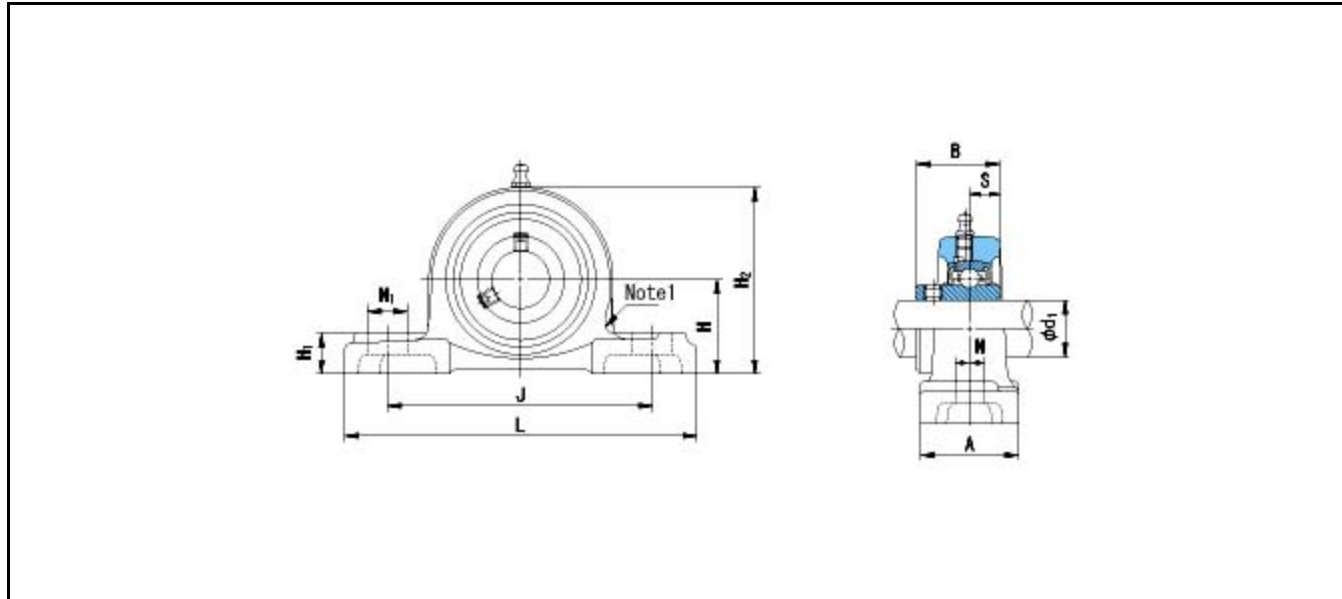
Bearing Data

Ball Bearing Units

Bearing No. : **UCP309**

Dimensions

H = 67
L = 245
J = 190
N1 = 30
H1 = 25
H2 = 128



Dimensions

d1 = 45
A = 67
N = 20
B = 57
S = 22
Mass = 4.5 kg

Basic Dynamic Load Rating Cr :	51500 N		INNER RING	OUTER RING
Basic Static Load Rating Cor :	29500 N	O.D.Surface Runout with Side :		-
Limiting Speed ;		Axial Runout with Bore :	-	-
Grease Lubrication :	- rpm	Axial Runout with Raceway :	-	-
Oil Lubrication :	- rpm	Width Variation :	-	-
		Radial Runout :	-	-