

ROECO

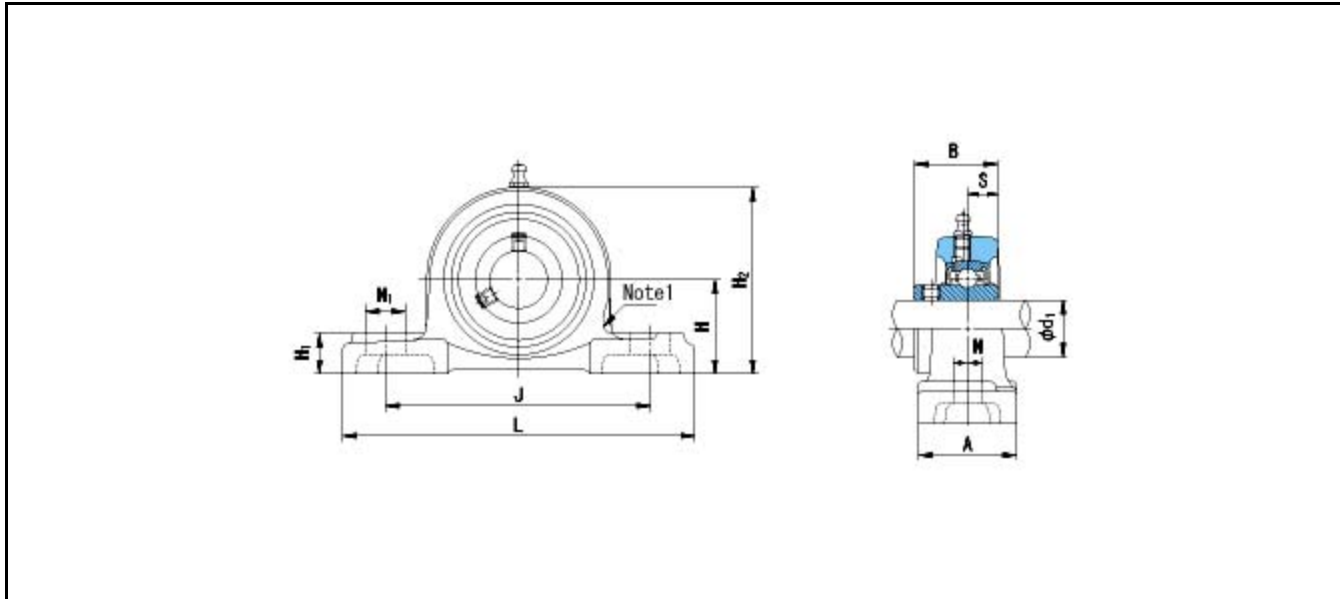
# Bearing Data

## Ball Bearing Units

Bearing No. : **UCP308**

Dimensions

H = 60  
L = 220  
J = 170  
N1 = 27  
H1 = 23  
H2 = 116



Dimensions

d1 = 40  
A = 60  
N = 17  
B = 52  
S = 19  
Mass = 3.3 kg

Basic Dynamic Load Rating Cr :	<b>40500 N</b>			
Basic Static Load Rating Cor :	<b>23900 N</b>	O.D.Surface Runout with Side :		-
Limiting Speed ;		Axial Runout with Bore :		-
Grease Lubrication :	- rpm	Axial Runout with Raceway :		-
Oil Lubrication :	- rpm	Width Variation :		-
		Radial Runout :		-