

ROECO

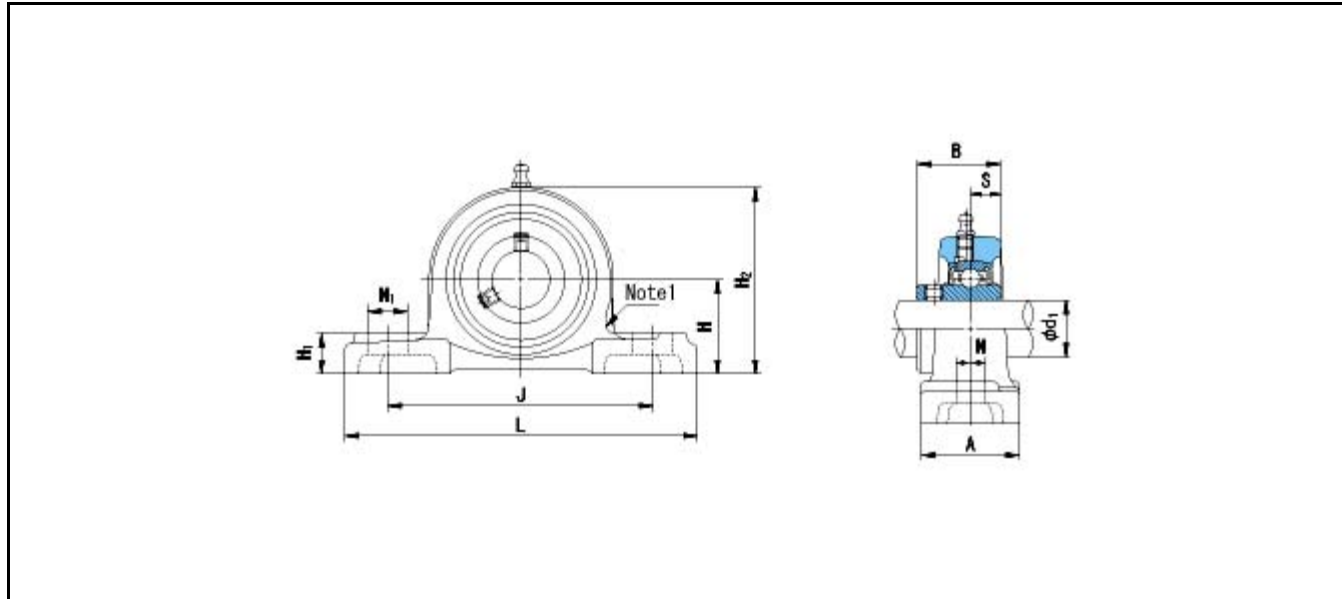
# Bearing Data

## Ball Bearing Units

Bearing No. : **UCP307**

Dimensions

H = 56  
L = 210  
J = 160  
N1 = 25  
H1 = 21  
H2 = 105



Dimensions

d1 = 35  
A = 56  
N = 17  
B = 48  
S = 19  
Mass = 2.7 kg

Basic Dynamic Load Rating Cr :	<b>33500 N</b>	INNER RING	OUTER RING
Basic Static Load Rating Cor :	<b>19200 N</b>	O.D.Surface Runout with Side :	-
Limiting Speed ;		Axial Runout with Bore :	-
Grease Lubrication :	- rpm	Axial Runout with Raceway :	-
Oil Lubrication :	- rpm	Width Variation :	-
		Radial Runout :	-