

ROECO

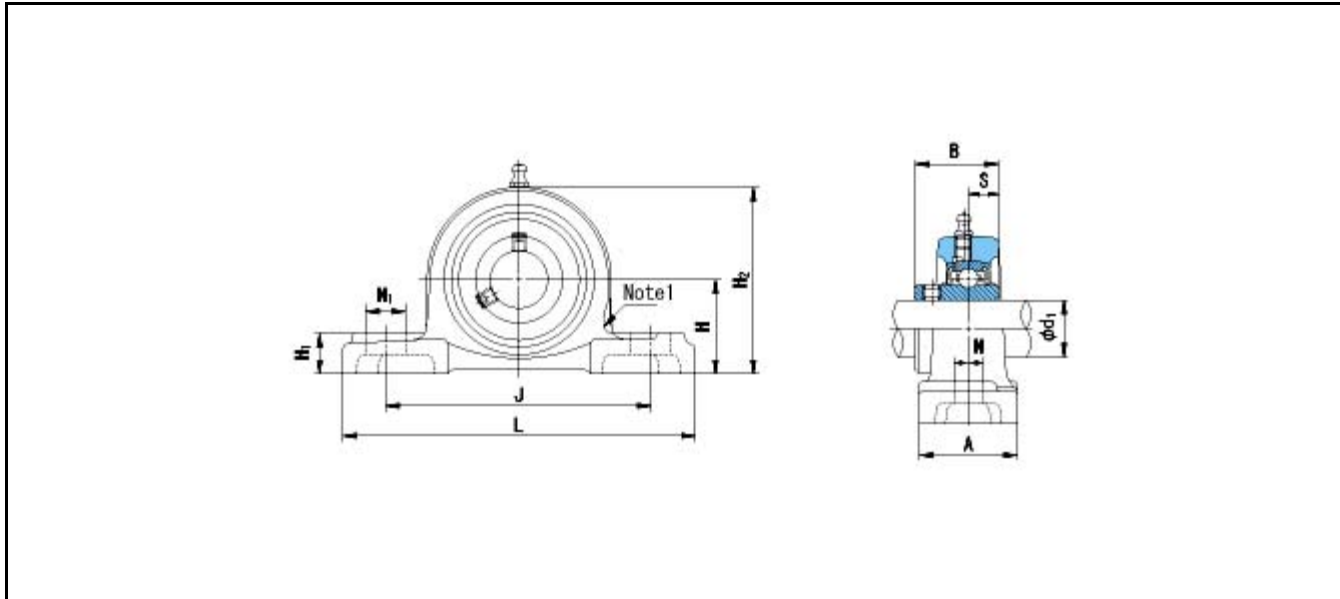
Bearing Data

Ball Bearing Units

Bearing No. : **UCP305**

Dimensions

- H = 45
- L = 175
- J = 132
- N1 = 20
- H1 = 16
- H2 = 84



Dimensions

- d1 = 25
- A = 45
- N = 17
- B = 38
- S = 15
- Mass = 1.6 kg

Basic Dynamic Load Rating Cr :	21300 N		INNER RING	OUTER RING
Basic Static Load Rating Cor :	10900 N	O.D.Surface Runout with Side :		-
Limiting Speed ;		Axial Runout with Bore :	-	-
Grease Lubrication :	- rpm	Axial Runout with Raceway :	-	-
Oil Lubrication :	- rpm	Width Variation :	-	-
		Radial Runout :	-	-