

ROECO

# Bearing Data

## Ball Bearing Units

Bearing No. : **UCP218**

Dimensions

H = 101.6

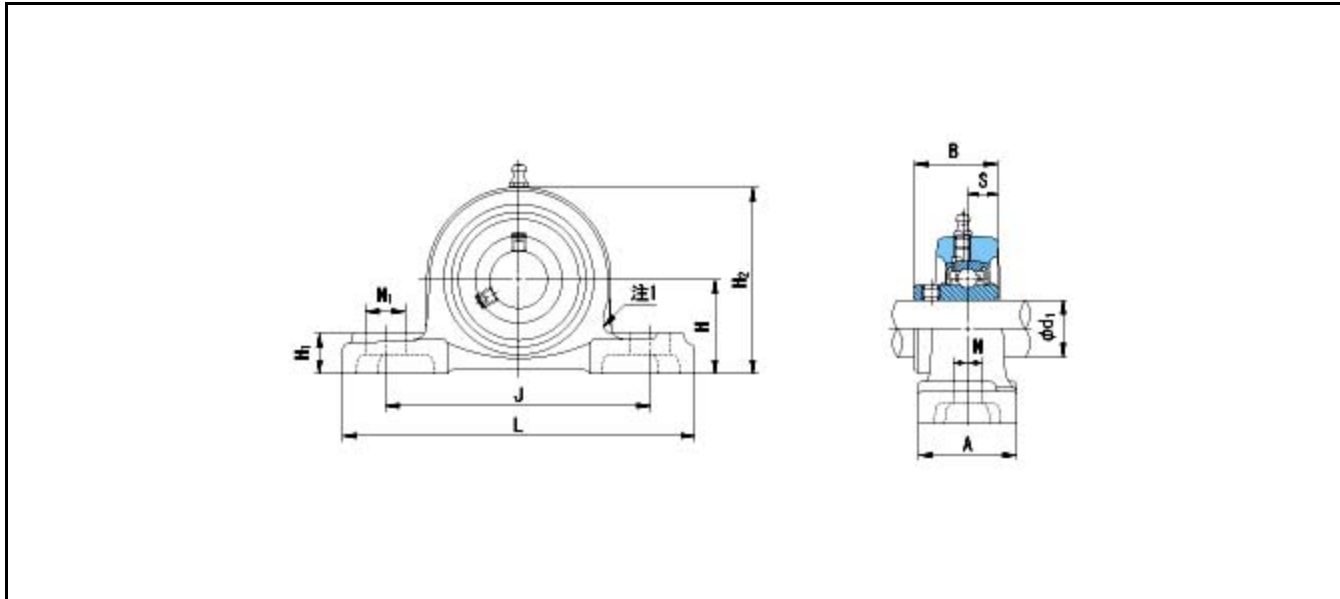
L = 327

J = 262

N1 = 33

H1 = 34

H2 = 200



Dimensions

d1 = 90

A = 88

N = 27

B = 96

S = 39.7

Mass = 14.7 kg

Basic Dynamic Load Rating Cr :	<b>95500 N</b>		<b>INNER RING</b>	<b>OUTER RING</b>
Basic Static Load Rating Cor :	<b>71400 N</b>	O.D.Surface Runout with Side :		-
Limiting Speed ;		Axial Runout with Bore :	-	-
Grease Lubrication :	- rpm	Axial Runout with Raceway :	-	-
Oil Lubrication :	- rpm	Width Variation :	-	-
		Radial Runout :	-	-