

ROECO

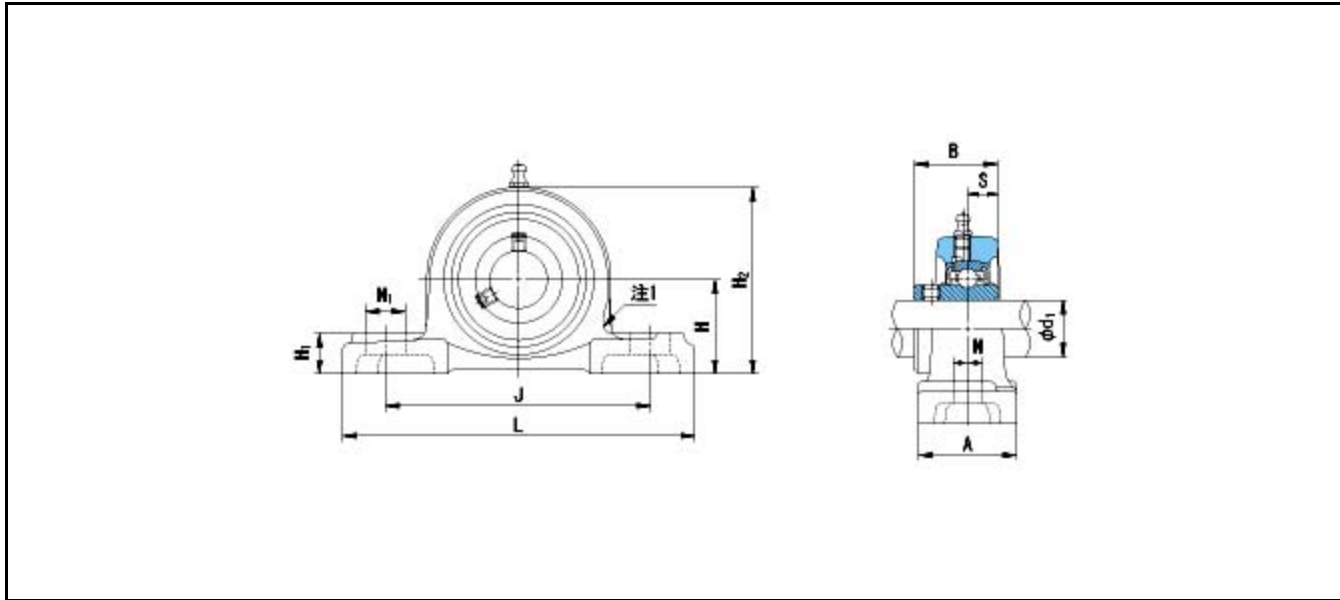
Bearing Data

Ball Bearing Units

Bearing No. : **UCP217**

Dimensions

- H = 95.2
- L = 310
- J = 247
- N1 = 31
- H1 = 32
- H2 = 187



Dimensions

- d1 = 85
- A = 83
- N = 25
- B = 85.7
- S = 34.1
- Mass = 12.2 kg

Basic Dynamic Load Rating Cr :	83500 N	INNER RING	OUTER RING
Basic Static Load Rating Cor :	61800 N	O.D.Surface Runout with Side :	-
Limiting Speed ;		Axial Runout with Bore :	-
Grease Lubrication :	- rpm	Axial Runout with Raceway :	-
Oil Lubrication :	- rpm	Width Variation :	-
		Radial Runout :	-