

ROECO

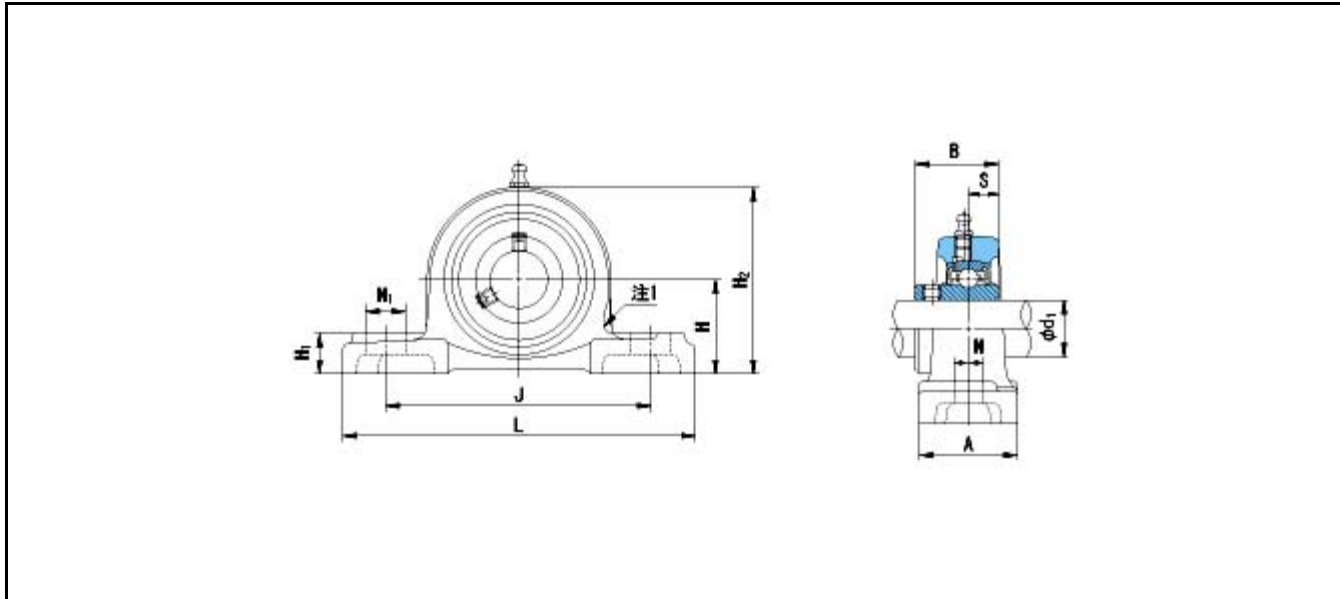
Bearing Data

Ball Bearing Units

Bearing No. : **UCP216**

Dimensions

- H = 88.9
- L = 292
- J = 232
- N1 = 31
- H1 = 30
- H2 = 175



Dimensions

- d1 = 80
- A = 78
- N = 25
- B = 82.6
- S = 33.3
- Mass = 10 kg

Basic Dynamic Load Rating Cr :	72500 N		INNER RING	OUTER RING
Basic Static Load Rating Cor :	53000 N	O.D.Surface Runout with Side :	-	-
Limiting Speed ;		Axial Runout with Bore :	-	-
Grease Lubrication :	- rpm	Axial Runout with Raceway :	-	-
Oil Lubrication :	- rpm	Width Variation :	-	-
		Radial Runout :	-	-