

ROECO

# Bearing Data

## Ball Bearing Units

Bearing No. : **UCP214**

Dimensions

H = 79.4

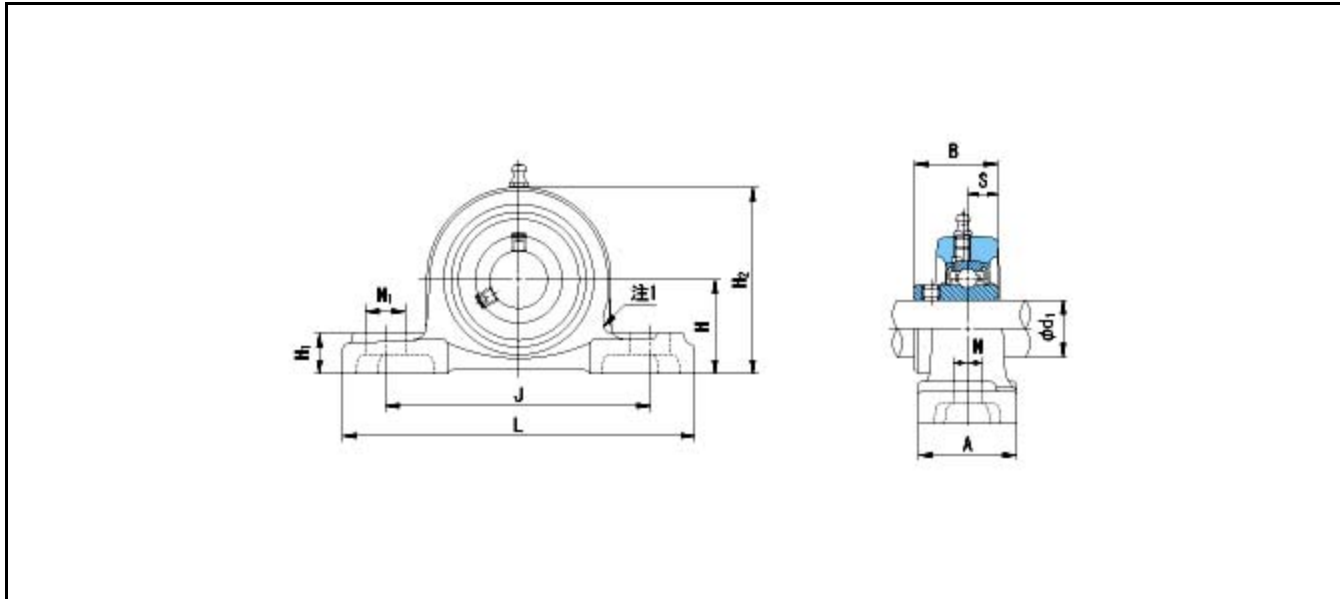
L = 266

J = 210

N1 = 31

H1 = 27

H2 = 156



Dimensions

d1 = 70

A = 72

N = 25

B = 74.6

S = 30.2

Mass = 7.3 kg

Basic Dynamic Load Rating Cr :	<b>62000 N</b>			
Basic Static Load Rating Cor :	<b>44000 N</b>	O.D.Surface Runout with Side :		-
Limiting Speed ;		Axial Runout with Bore :		-
Grease Lubrication :	- rpm	Axial Runout with Raceway :		-
Oil Lubrication :	- rpm	Width Variation :		-
		Radial Runout :		-