

ROECO

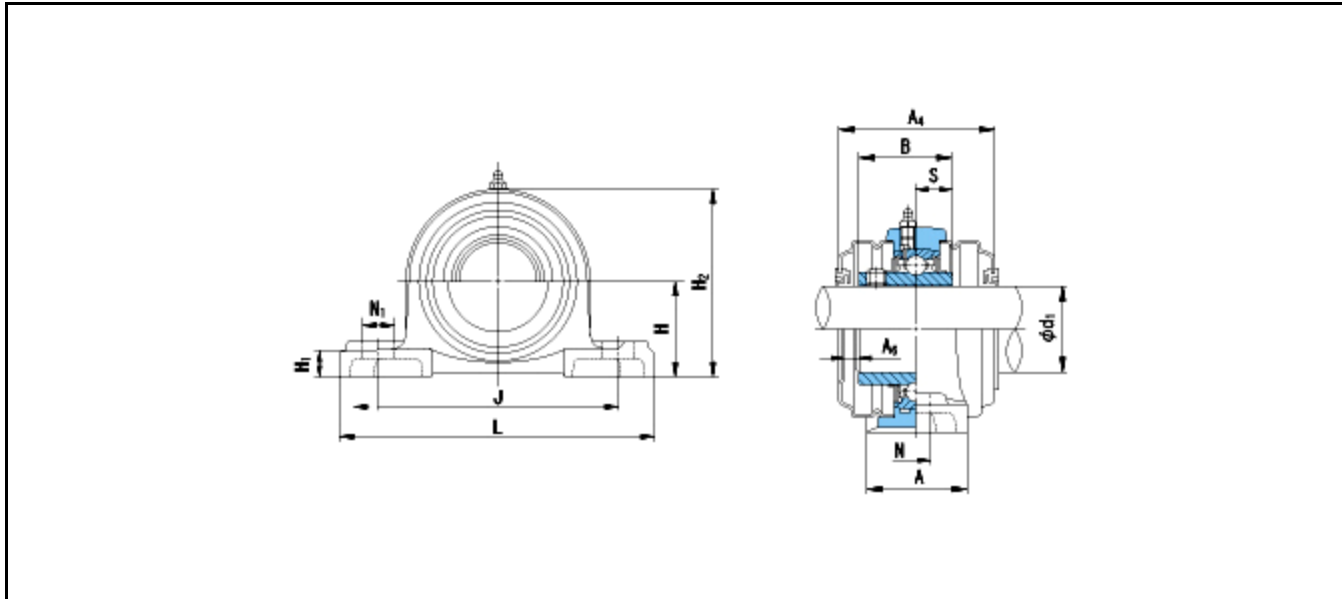
# Bearing Data

## Ball Bearing Units

Bearing No. : **UCP213E**

Dimensions

- H = 76.2
- L = 265
- J = 203
- N1 = 29
- H1 = 27
- H2 = 150



Dimensions

- d1 = 65
- A = 70
- N = 25
- B = 65.1
- S = 25.4
- A4 = 102
- A6 = 10
- Mass = 6.1 kg

Basic Dynamic Load Rating Cr :	<b>57500 N</b>		
Basic Static Load Rating Cor :	<b>40000 N</b>	O.D.Surface Runout with Side :	-
Limiting Speed ;		Axial Runout with Bore :	-
Grease Lubrication :	- rpm	Axial Runout with Raceway :	-
Oil Lubrication :	- rpm	Width Variation :	-
		Radial Runout :	-

**INNER RING    OUTER RING**