

ROECO

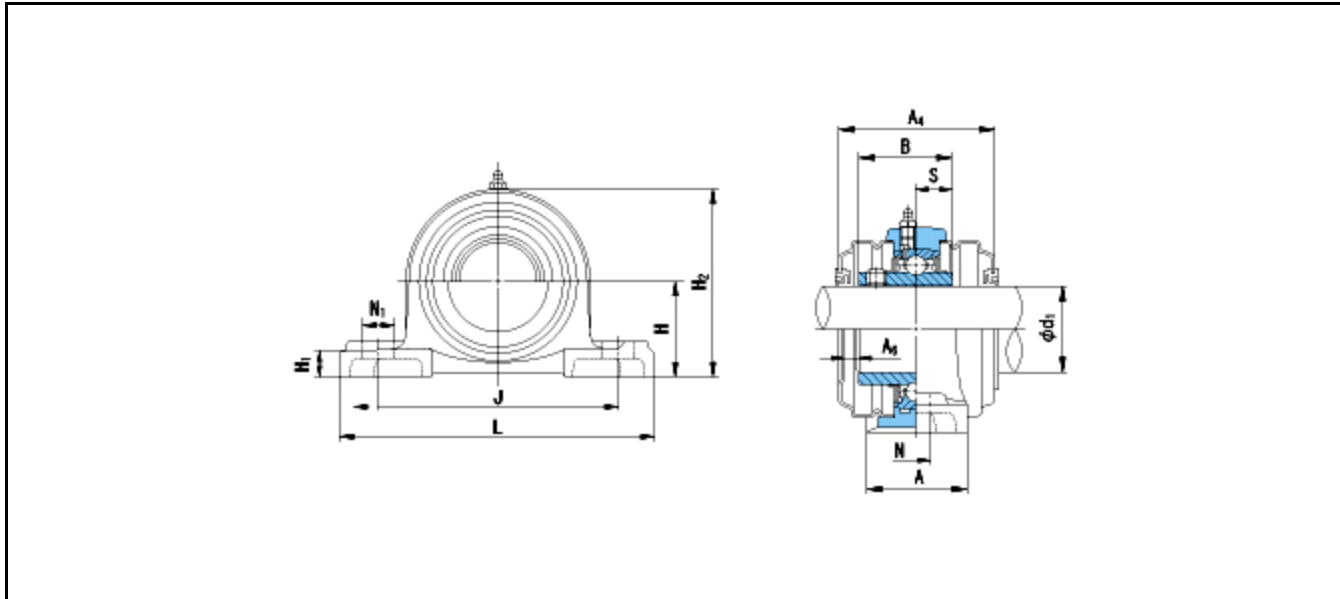
# Bearing Data

## Ball Bearing Units

Bearing No. : **UCP213C**

Dimensions

- H = 76.2
- L = 265
- J = 203
- N1 = 29
- H1 = 27
- H2 = 150



Dimensions

- d1 = 65
- A = 70
- N = 25
- B = 65.1
- S = 25.4
- A4 = 102
- A6 = 10
- Mass = 6.1 kg

<b>Basic Dynamic Load Rating Cr :</b>	<b>57500 N</b>	<b>INNER RING</b>	<b>OUTER RING</b>
<b>Basic Static Load Rating Cor :</b>	<b>40000 N</b>	<b>O.D.Surface Runout with Side :</b>	-
<b>Limiting Speed ;</b>		<b>Axial Runout with Bore :</b>	-
<b>Grease Lubrication :</b>	- rpm	<b>Axial Runout with Raceway :</b>	-
<b>Oil Lubrication :</b>	- rpm	<b>Width Variation :</b>	-
		<b>Radial Runout :</b>	-