

ROECO

Bearing Data

Ball Bearing Units

Bearing No. : **UCP213**

Dimensions

H = 76.2

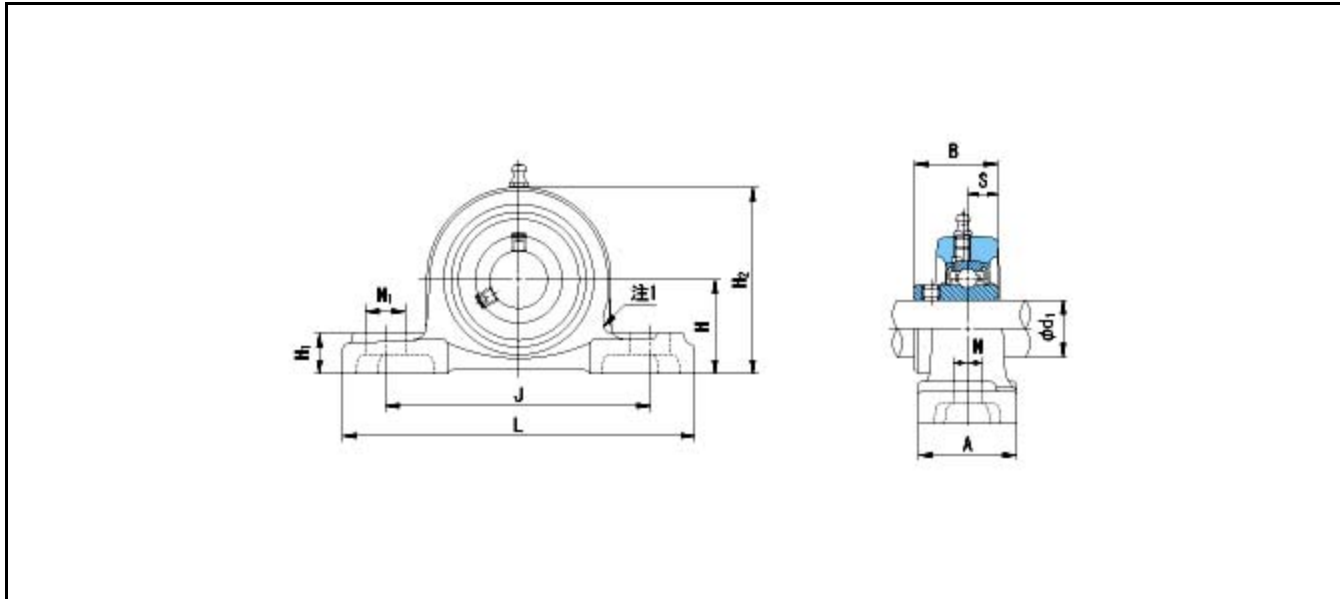
L = 265

J = 203

N1 = 29

H1 = 27

H2 = 150



Dimensions

d1 = 65

A = 70

N = 25

B = 65.1

S = 25.4

Mass = 5.6 kg

Basic Dynamic Load Rating Cr :	57500 N			
Basic Static Load Rating Cor :	40000 N	O.D.Surface Runout with Side :		-
Limiting Speed ;		Axial Runout with Bore :		-
Grease Lubrication :	- rpm	Axial Runout with Raceway :		-
Oil Lubrication :	- rpm	Width Variation :		-
		Radial Runout :		-