

ROECO

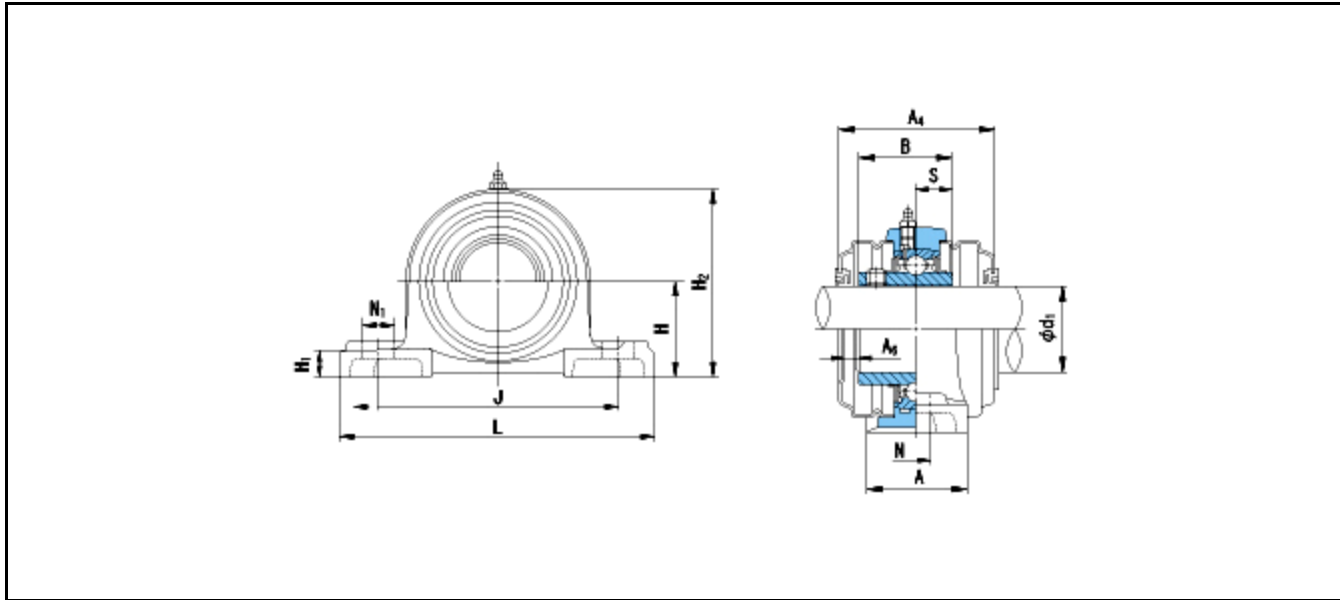
# Bearing Data

## Ball Bearing Units

Bearing No. : **UCP212E**

### Dimensions

H = 69.8  
L = 241  
J = 184  
N1 = 25  
H1 = 25  
H2 = 138



### Dimensions

d1 = 60  
A = 70  
N = 20  
B = 65.1  
S = 25.4  
A4 = 102  
A6 = 10  
Mass = 5.1 kg

Basic Dynamic Load Rating Cr :	<b>52500 N</b>			
Basic Static Load Rating Cor :	<b>36100 N</b>	O.D.Surface Runout with Side :		-
Limiting Speed ;		Axial Runout with Bore :	-	-
Grease Lubrication :	- rpm	Axial Runout with Raceway :	-	-
Oil Lubrication :	- rpm	Width Variation :	-	-
		Radial Runout :	-	-