

ROECO

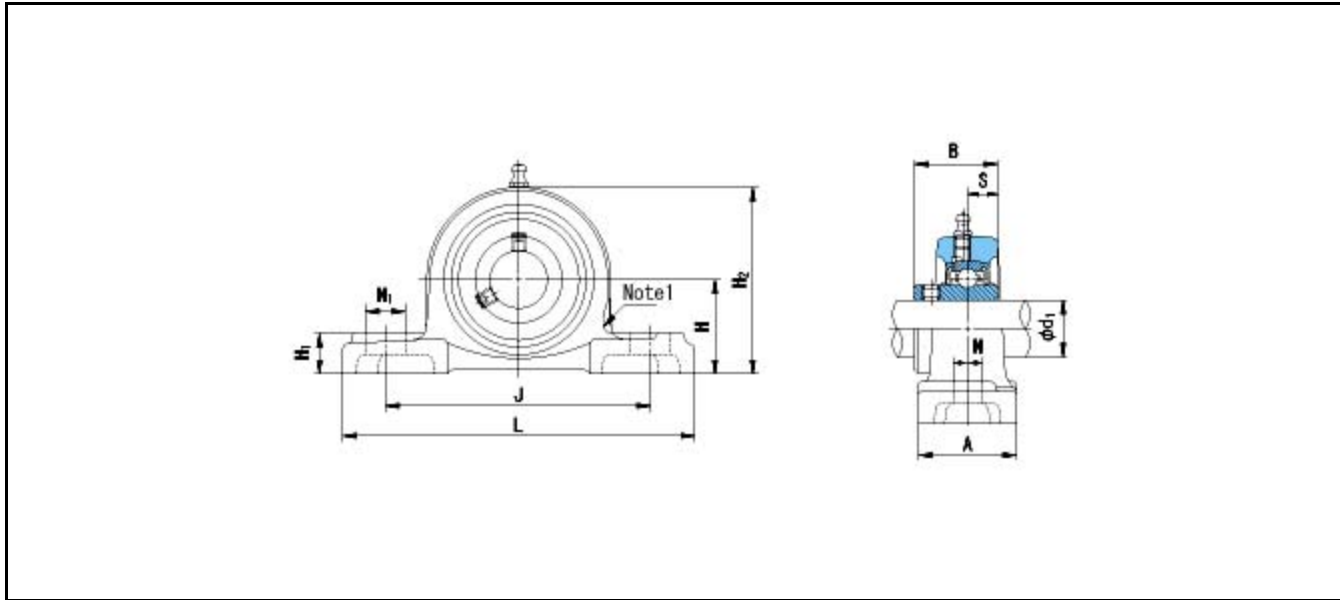
Bearing Data

Ball Bearing Units

Bearing No. : **UCP212**

Dimensions

- H = 69.8
- L = 241
- J = 184
- N1 = 25
- H1 = 25
- H2 = 138



Dimensions

- d1 = 60
- A = 70
- N = 20
- B = 65.1
- S = 25.4
- Mass = 4.7 kg

Basic Dynamic Load Rating Cr :	52500 N		INNER RING	OUTER RING
Basic Static Load Rating Cor :	36100 N	O.D.Surface Runout with Side :		-
Limiting Speed ;		Axial Runout with Bore :	-	-
Grease Lubrication :	- rpm	Axial Runout with Raceway :	-	-
Oil Lubrication :	- rpm	Width Variation :	-	-
		Radial Runout :	-	-