

ROECO

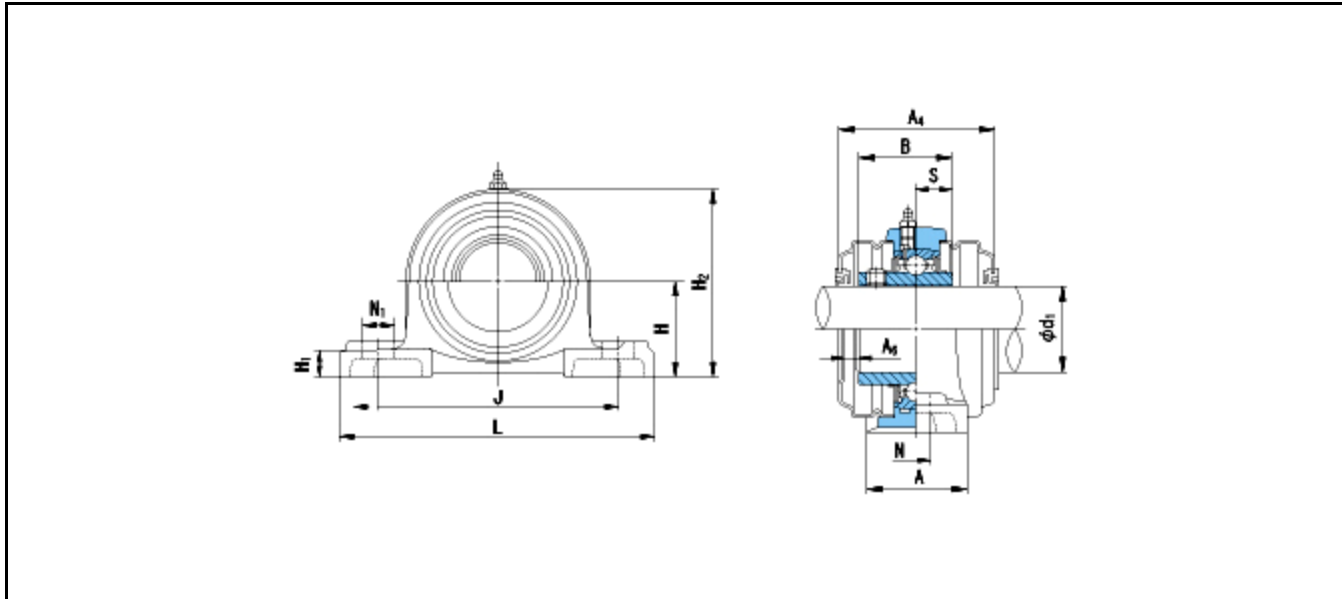
Bearing Data

Ball Bearing Units

Bearing No. : **UCP211E**

Dimensions

- H = 63.5
- L = 219
- J = 171
- N1 = 25
- H1 = 22
- H2 = 126



Dimensions

- d1 = 55
- A = 60
- N = 20
- B = 55.6
- S = 22.2
- A4 = 88
- A6 = 9
- Mass = 3.7 kg

Basic Dynamic Load Rating Cr :	43000 N			
Basic Static Load Rating Cor :	29400 N	O.D.Surface Runout with Side :		-
Limiting Speed ;		Axial Runout with Bore :	-	
Grease Lubrication :	- rpm	Axial Runout with Raceway :	-	-
Oil Lubrication :	- rpm	Width Variation :	-	-
		Radial Runout :	-	-

INNER RING OUTER RING