

ROECO

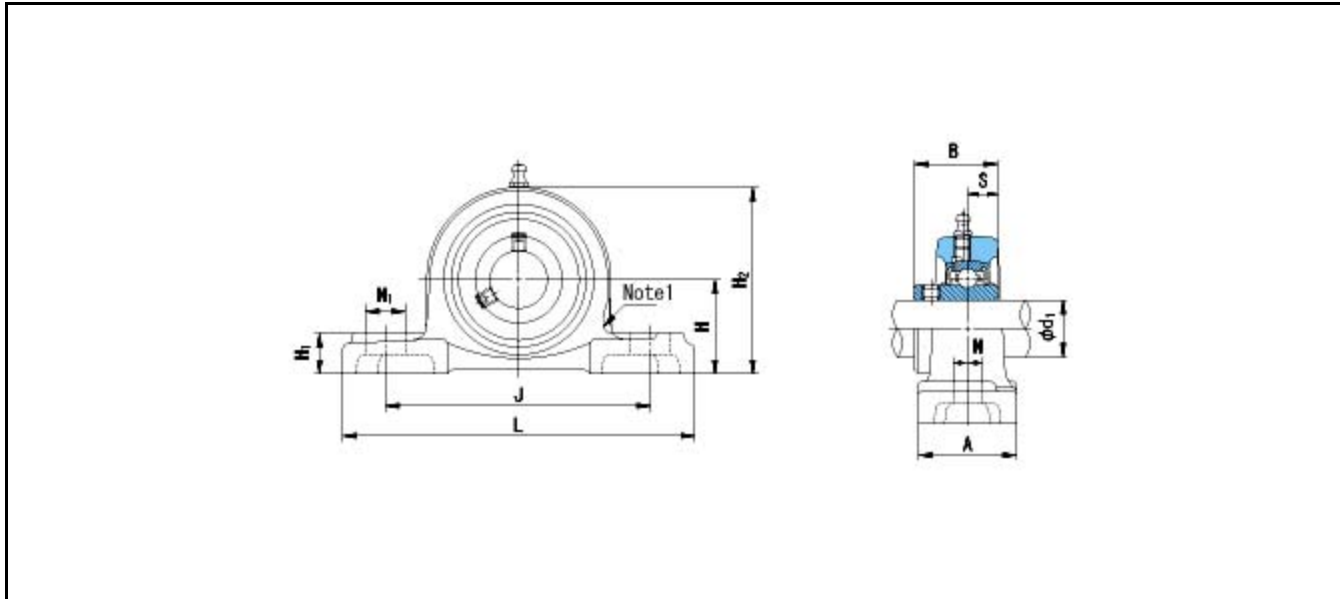
Bearing Data

Ball Bearing Units

Bearing No. : **UCP211**

Dimensions

H = 63.5
L = 219
J = 171
N1 = 25
H1 = 22
H2 = 126



Dimensions

d1 = 55
A = 60
N = 20
B = 55.6
S = 22.2
Mass = 3.3 kg

Basic Dynamic Load Rating Cr :	43000 N		
Basic Static Load Rating Cor :	29400 N		
Limiting Speed ;			
Grease Lubrication :	- rpm		
Oil Lubrication :	- rpm		
		INNER RING	OUTER RING
		O.D.Surface Runout with Side :	-
		Axial Runout with Bore :	-
		Axial Runout with Raceway :	-
		Width Variation :	-
		Radial Runout :	-