

ROECO

Bearing Data

Ball Bearing Units

Bearing No. : **UCP210E**

Dimensions

H = 57.2

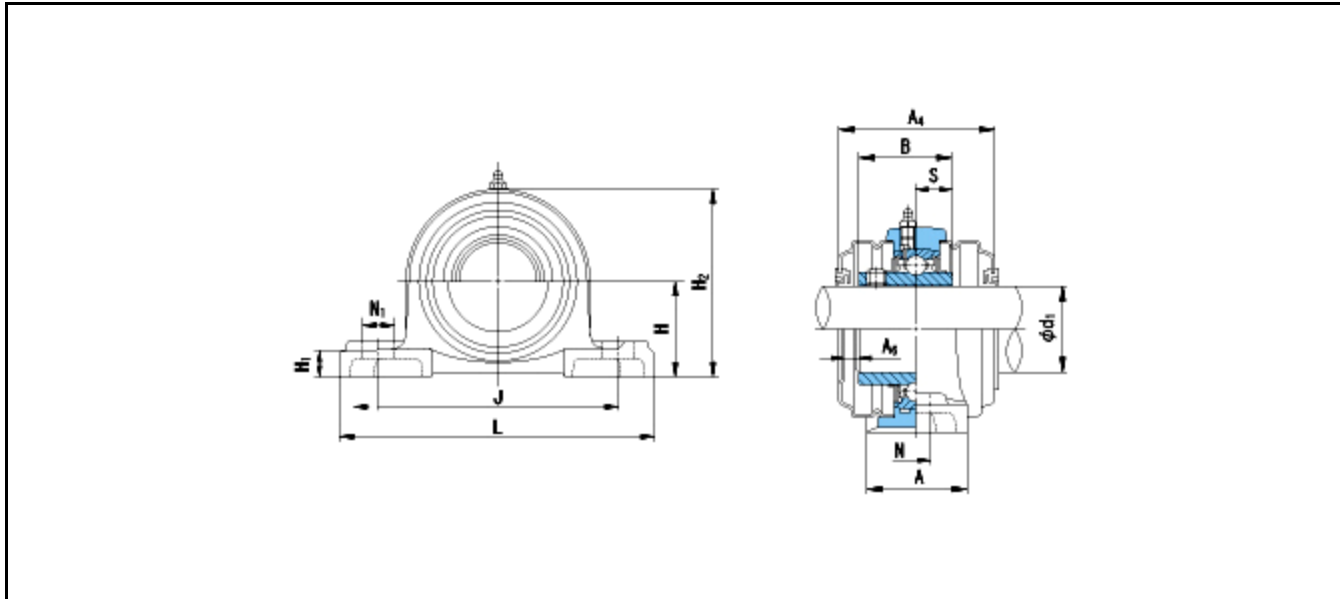
L = 206

J = 159

N1 = 25

H1 = 22

H2 = 114



Dimensions

d1 = 50

A = 60

N = 20

B = 51.6

S = 19

A4 = 87

A6 = 9

Mass = 3 kg

Basic Dynamic Load Rating Cr :	35500 N			
Basic Static Load Rating Cor :	23200 N	O.D.Surface Runout with Side :		-
Limiting Speed ;		Axial Runout with Bore :		-
Grease Lubrication :	- rpm	Axial Runout with Raceway :		-
Oil Lubrication :	- rpm	Width Variation :		-
		Radial Runout :		-