

ROECO

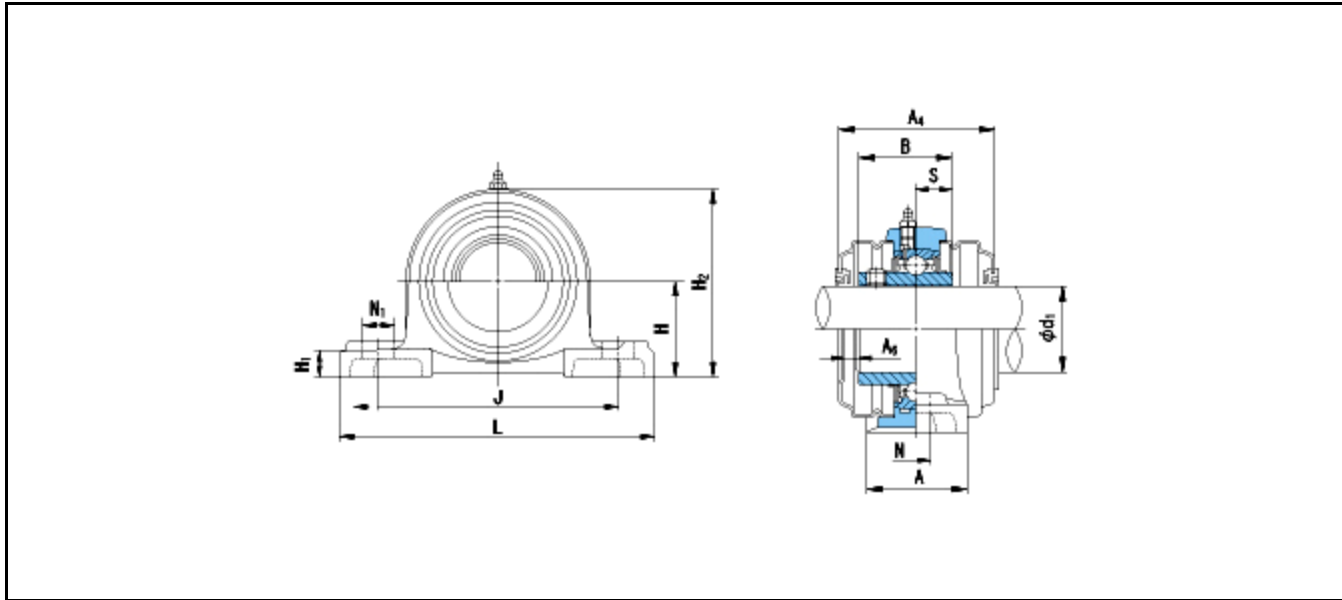
Bearing Data

Ball Bearing Units

Bearing No. : **UCP209C**

Dimensions

- H = 54
- L = 190
- J = 146
- N1 = 22
- H1 = 20
- H2 = 108



Dimensions

- d1 = 45
- A = 54
- N = 17
- B = 49.2
- S = 19
- A4 = 82
- A6 = 10
- Mass = 2.5 kg

Basic Dynamic Load Rating Cr :	33000 N			
Basic Static Load Rating Cor :	20500 N	O.D.Surface Runout with Side :		-
Limiting Speed ;		Axial Runout with Bore :	-	
Grease Lubrication :	- rpm	Axial Runout with Raceway :	-	-
Oil Lubrication :	- rpm	Width Variation :	-	-
		Radial Runout :	-	-